

# Y-Type Screen Filter (PR)

¾" Screen filter with a built-in pressure regulator

**New**



**AUTOMAT COMBO** ¾" Pressure Regulated Screen Filter is a combination of filter & regulator, with 120 mesh stainless steel cartridge and 2kg/cm<sup>2</sup> inbuilt regulator. This compact design occupies less space allowing to accommodate multiple number of filters in one valve box.

## Applications

- All-purpose screen filter with built-in pressure regulator for use in drip irrigation or micro sprinkler systems.
- Useful for low volume application .
- This product is suitable for residential and commercial landscape irrigation.

## Technical Specifications

Technical data		AQ-521PRY
1	Nominal size & connection type	¾"-BSP (20 mm)
2	Max. Pressure	8 kg/cm <sup>2</sup>
3	Pre-set regulation pressure	2 kg/cm <sup>2</sup>
4	Filtration Degree	120 Mesh
<b>Material of Construction</b>		
Polypropylene glass filled, stainless steel & rubber		
	Max. Temperature	60° C

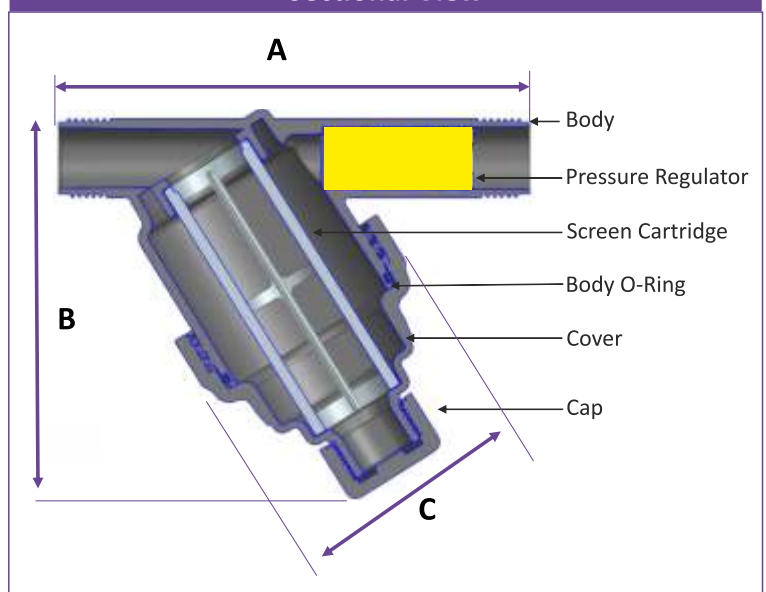
## Features and Benefits

- Surface Sealing Design : O-Ring on periphery of filter body ensures proper sealing and prevents leakage even at higher pressures.
- Regulates incoming water pressure to protect your irrigation system components from damage.
- Rustproof stainless steel 120 mesh screen.
- Easy to open and close the cover with smooth ribs for better grip.
- Rust free, UV-Resistant and durable plastic material works in adverse conditions, ensures reliable and trouble free operation for years.
- ¾" cap provided for easy drain.

## Product Dimensions

S.NO.	Category	AQ-521PRY
1	Distance between end connections (A)	155 mm
2	Filter Height (B)	128 mm
3	Filter width (C)	78 mm

## Sectional View



**AUTOMAT IRRIGATION PRIVATE LIMITED**

Website: [www.automatworld.com](http://www.automatworld.com) | e-mail: [contactus@automatworld.com](mailto:contactus@automatworld.com)



<https://www.facebook.com/automatindustries>



<https://www.youtube.com/automatindustries>