

Hybrid Wafer Type Butterfly Valve: Lever Operated

2", 2½", & 3"



Technical Specifications

- Nominal Size (DN): 50mm (2"), 65mm (2½") & 80mm (3")
- Nominal Pressure (PN): PN10 class 125/150
- Fluid Handled: Liquid
- Manufacturing Standard: IS: 13095
- Hydrostatic Test Pressure of Body: 15 kg/cm² (at 27° C temp.)
- Hydrostatic Test Pressure of Seat: 10 kg/cm² (at 27° C temp.)
- Temperature Range: -5°C to 50°C
- Service Application: Regulating & Tight Shut Off
- Type of Construction: Wafer Type
- Face to Face Dimension:
For 2", 2½" & 3" : 46mm
- Orientation of Lever: Parallel to Flow, when valve fully open.

Rust Prevention

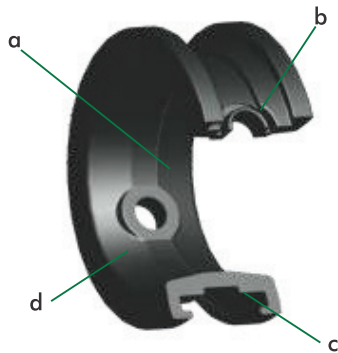
Body made of high quality PVC for strength and chemical resistance. butterfly valve disc made of stainless steel SS-304/316 for higher pressure rating and even for Industrial use.

Lock Plate

Stainless Steel Lock Plate provided with throttling notches every 15° in balancing upto 90° or shut off service. The lever may be padlocked in any one of the notches position.

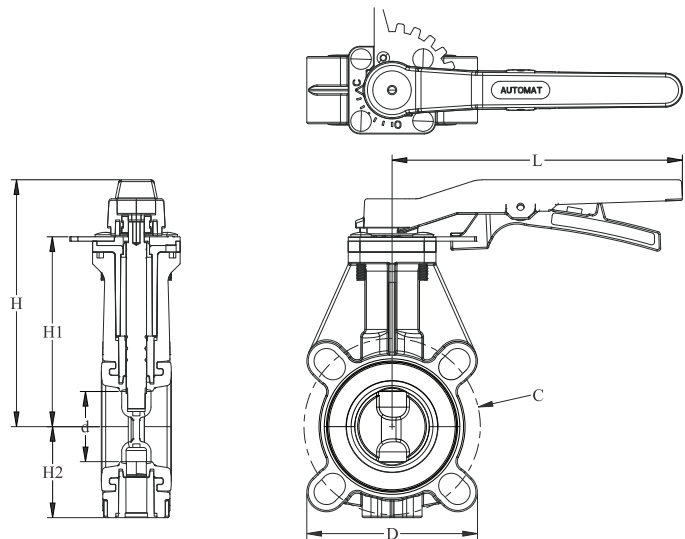
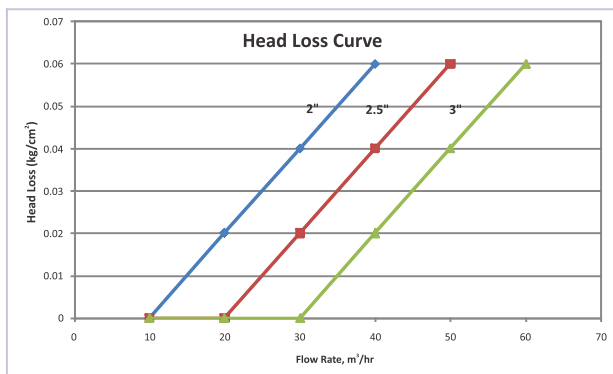
EPDM Rubber Seal

- Wide disc seating contact for good sealing performance.
- Dual shaft seal bearing for stabilized sealing function.
- Excellent gripping of rubber seal to avoid operating problems such as distortion, deformation and skidding caused by line pressure and friction with metal.
- Gasket less flange sealing contact for easy valve mounting



Dimensions (mm)

	50mm	65mm	80mm
d	50mm	65mm	80mm
D	117	112	128
H1	130	134	144
H2	71	88	91
H	165	174	182
L	198.5	198.5	198.5
C (PCD)	120.8	137.5	155.5



Hybrid Wafer Type Butterfly Valve: Lever Operated

2", 2½", & 3"



Features

- Light Weight, easy to install.
- One Piece Body made of PVC-U.
- Disc designed ensuring low torque and low pressure loss.
- Suitable for piping in a limited space.
- Butterfly Valve for water applications (Irrigation, water treatment, Industrial etc.)



2", 2½" & 3" Butterfly Valve		
Part No.	Part Name	Material
1	Logo Cap	ABS
2	Allen Screw	SS304/316
3	Handle Washer	SS304 / MS plated
4	Carriage Bolt	SS304 / MS plated
5	Lock Plate	SS304/316
6	Sleeve	PVC
7	locking Bush	POM-MoS2
8	Shaft	SS304/316
9	Shaft O-ring	NBR
10	Bush	POM-MoS2
11	Bush O-ring	NBR
12	Body	PVC
13	Handle	ABS
14	Spring	SS304/316
15	Lever	Aluminum
16	Knurling pin	SS304/316
17	E-ring	SS304/316
18	Nut & Washer	SS304 / MS plated
19	Rubber Seal	EPDM
20	Disc	SS304/316
21	Small Shaft	SS304/316
22	Base Plate	PP
23	Allen Screw	SS304