

TAGLINE Filters

Irrigation high quality all plastic filters for flowrates up to 50 m³/h (220 US gpm)



flowrates

**up to 50 m³/h
(220 US gpm)**

filtration degrees

300-80 micron

diameters

**¾" – 3"
(20mm - 75mm)**

maximum operating
pressure

8 bar (120 psi)

features:

- Easy maintenance; No tools required for extracting the elements from the filter housing for rinsing
- High quality, excellent mechanical strength and corrosion resistance
- Low pressure loss
- Interchangeable filter elements for wide range of flowrates, various filtration degrees and irrigation applications
- Screen cylinders or Disc elements

Amiad TAGLINE Filter Series

General

With their Screen and Disc elements Amiad TAGLINE filters are made for wide range of irrigation applications. The TAGLINE filters are available in various filtration degrees to cover the needs of modern irrigation systems. TAGLINE filters are made from high quality engineered plastic materials providing excellent mechanical strength, durability and ease of installation.

Amiad's TAGLINE filters are easy to maintain; no tools are needed for extracting the filter element from the filter housing for rinsing.

Filter Elements

Covering a wide range of flowrates, various filtration degrees and a variety of irrigation applications, Amiad supplies two types of filter elements for its TAGLINE series:

Screen Elements: (1)

The screen elements are constructed of molded plastic ribs that support a stainless steel weave-wire or weaved nylon mesh for a filtration range of 80 to 300 micron.

The direction of flow in the screen elements is from the inside out. Suspended solids accumulate on the inner side of the screen. The screen can be easily extracted from the filter housing for manual rinsing.

The screen elements are designed for creating very low head loss, retention of organic substances and are especially suitable for separating inorganic particles.

The screen cylinder incorporates two O-rings to ensure perfect sealing inside the filter housing.



(1)

(2)

Disc Elements: [2]

The disc elements are made to provide high retention of organic substances and are constructed from plastic discs that are stacked onto a telescopic core. The discs are grooved on both sides and intersect to form the filtration element when compressed on the telescopic core. The disc element incorporates two O-rings to ensure perfect sealing inside the filter housing.

The direction of flow in these elements is from the outside - in along the element, therefore the effective filtration area is comprised of both the outside surface and the channels formed by the intersected grooves. Suspended organic particles adhere to the grooved surface adding depth to the filtration process.

Cleaning the disc element is made simple by the unique design of the telescopic core which allows the discs to separate during the cleaning process while maintaining perfect sealing when the element is in the filter housing.

Filtration Degrees Available

The following table lists the various filter elements of Amiad's TAGLINE filters and the optional filtration degrees for each filter element. For ease of operation and maintenance the various filtration degrees are color coded. Please consult your dealer for the most suitable filter element for your application requirements.

Color	Black	Yellow	Red	White	Brown	Blue
Micron	80	100	130	200	250	300
Mesh	200	155	120	75	60	50
¾", 1"	■ ▲	■ ▲	■ ▲	■ ▲		■ ▲
1½"	■ ▲	■ ▲ ●	■ ▲ ●	■ ▲	●	■ ▲
2", 3"	▲	▲ ●	▲ ●	▲	●	▲

■ Nylon Screen ▲ Weave Wire Screen ● Disc Element

Technical Specifications

Filter Type	¾"	1"	1½"
-------------	----	----	-----

General Data			
Maximum flowrate*	3 m³/h (13.2 US gpm)	5 m³/h (22 US gpm)	15 m³/h (66 US gpm)
Inlet/Outlet diameter	¾" (20 mm)	1" (25 mm)	1½" (40 mm)
Filtration degrees	300, 250, 200, 130, 100, 80 micron		
Max. working pressure	8 bar (120 psi)		
Max. working temperature	60°C (140°F)		
Working temperature range	60°C (140°F)		
Weight [empty]	0.16 kg (0.35 lb)	0.17 kg (0.37 lb)	Screen = 1.0 kg (2.2 lb) Discs = 1.2 kg (2.6 lb)

* Consult Amiad for optimum flow depending on filtration degree & water quality.

Engineering Data

Filter Element Data			
Filter area	Screen = 110 cm² (17 in²)	Screen = 110 cm² (17 in²)	Screen = 340 cm² (52.7 in²) Discs = 460 cm² (71.3 in²)
Filter Element types	Nylon Screen, Weave Wire Screen		Nylon Screen, Weave Wire Screen, Disc Element

* Construction Materials			
Filter housing	Polypropylene		
Filter Lid	Polypropylene		
Housing seal	NBR		
Screen	Construction= Polypropylene Mesh = Nylon Seals = NBR	Construction= Polypropylene Mesh = Nylon Seals = NBR	Construction= Polypropylene Mesh = St. St Seals = NBR
Discs	Construction = Polyethylene Seals: NBR	Construction = Polyethylene Seals: NBR	Construction = Polyethylene Grooved discs = Polyethylene Seals = NBR

* Amiad offers a variety of construction materials. Consult us for specifications.

Technical Specifications

Filter Type	2"	2" - S	3"
-------------	----	--------	----

General Data			
Maximum flowrate*	25 m ³ /h (110 US gpm)	25 m ³ /h (110 US gpm)	50 m ³ /h (220 US gpm)
Inlet/Outlet diameter	2" (50 mm)	2" (50 mm)	3" (80 mm)
Filtration degrees	300, 250, 200, 130, 100, 80 micron		
Max. working pressure	8 bar (120 psi)		
Max. working temperature	60°C (140°F)		
Weight [empty]	Screen = 3.6 kg (7.9 lb) Discs = 4.4 kg (9.7 lb)	Screen = 4.2 kg (9.2 lb) Discs = 5.4 kg (11.9 lb)	Screen = 4.5 kg (9.9 lb) Discs = 5.7 kg (12.5 lb)

* Consult Amiad for optimum flow depending on filtration degree & water quality.

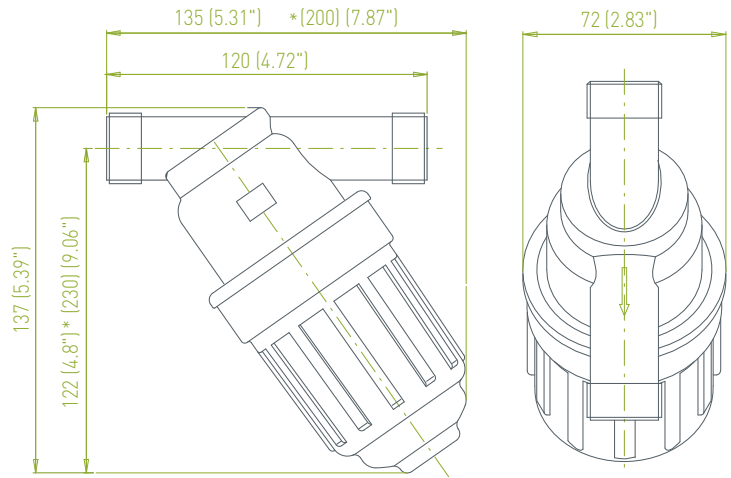
Engineering Data

Filter Element Data			
Filter area	Screen = 465 cm ² (72 in ²) Discs = 790 cm ² (122.4 in ²)	Screen = 700 cm ² (108.5 in ²) Discs = 1185 cm ² (183.6 in ²)	Screen = 700 cm ² (108.5 in ²) Discs = 1185 cm ² (183.6 in ²)
Filter Element types	Nylon Screen, Weave Wire Screen, Disc Element		

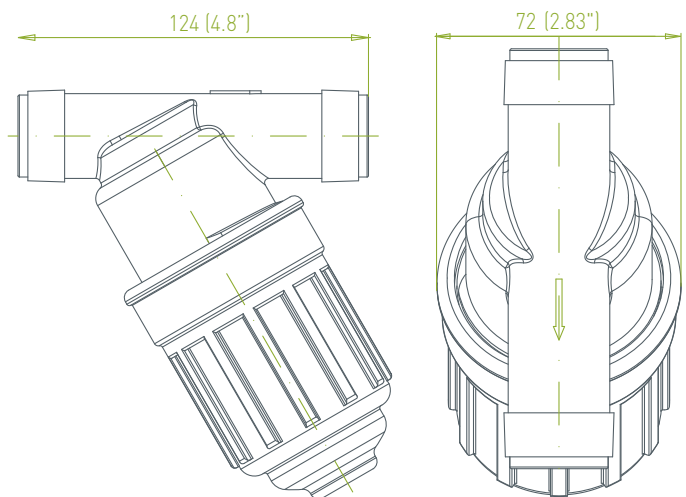
* Construction Materials	
Filter housing	Polypropylene + Glass Fibers
Filter Lid	Polypropylene + Glass Fibers
Tightening nut	Polypropylene + Glass Fibers
Housing seal	NBR
Screen	Construction = Polypropylene Mesh = St. St. or Polyester Seals = NBR
Discs	Construction = Polypropylene Grooved discs = Polypropylene Seals = NBR

* Amiad offers a variety of construction materials. Consult us for specifications.

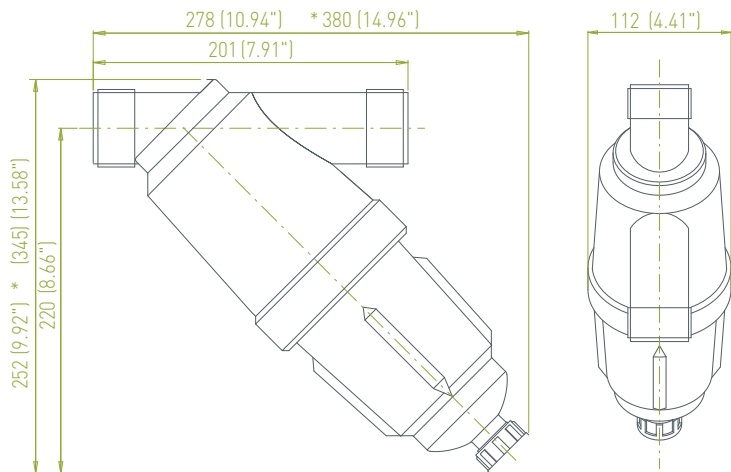
3/4"



1"



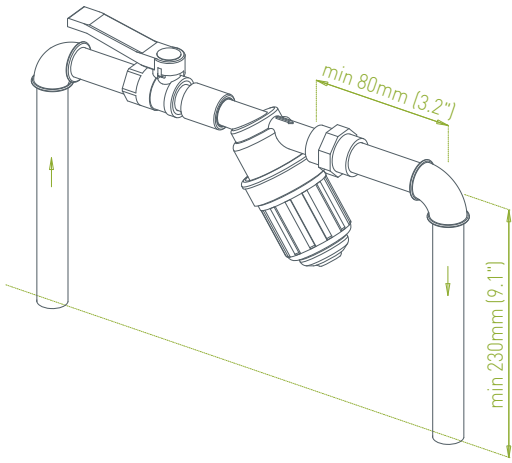
1 1/2"



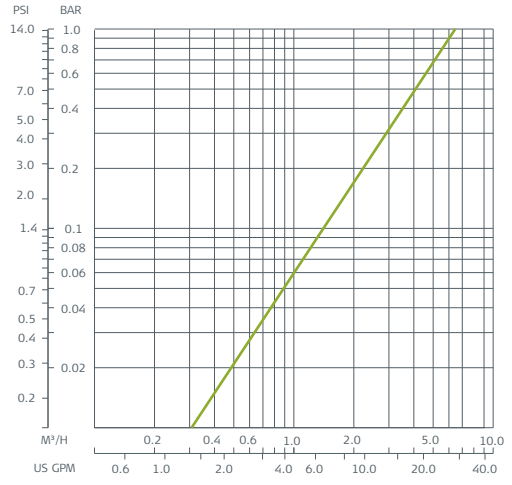
Dim: mm (inch)

*Approx. length required for maintenance

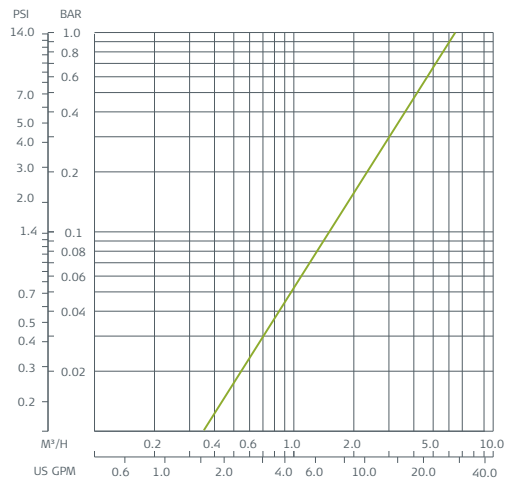
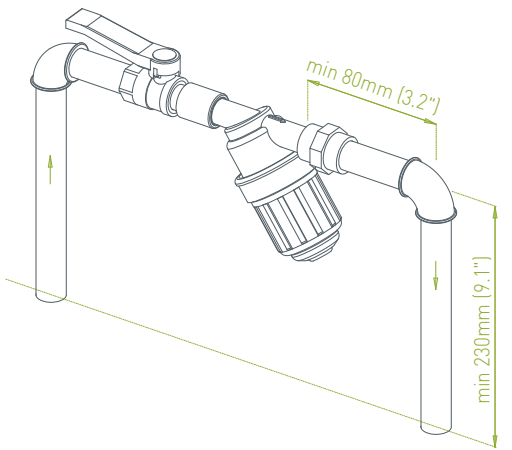
Typical Installation Drawing



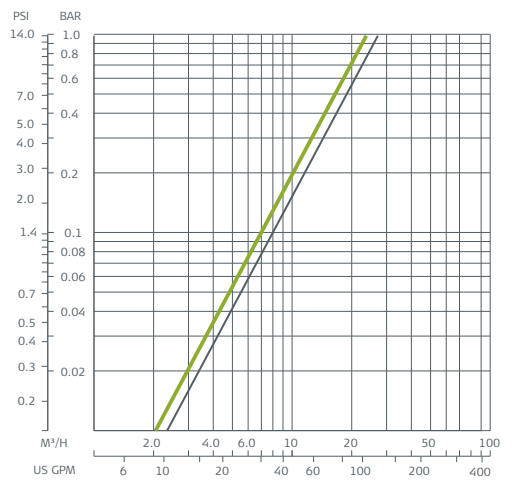
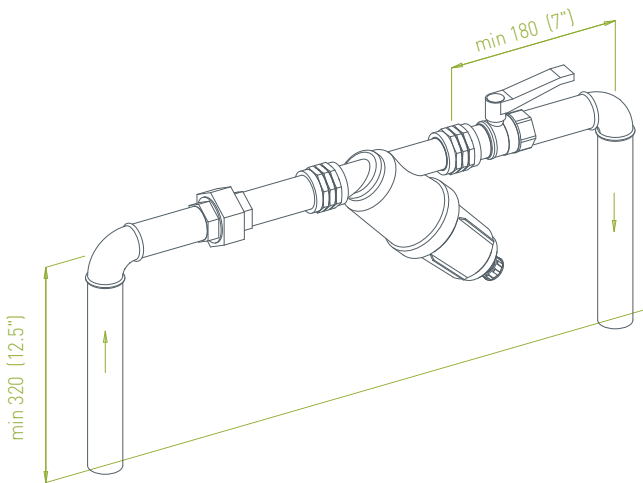
Pressure Loss Graph in clean water



— Screen



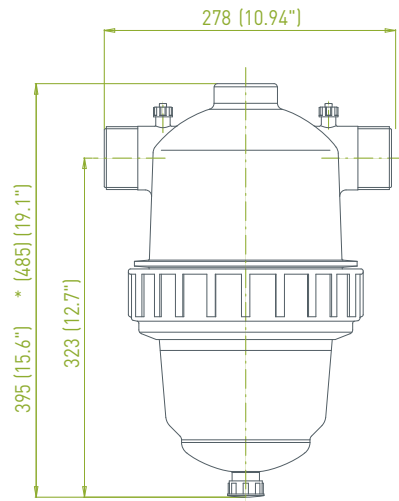
— Screen



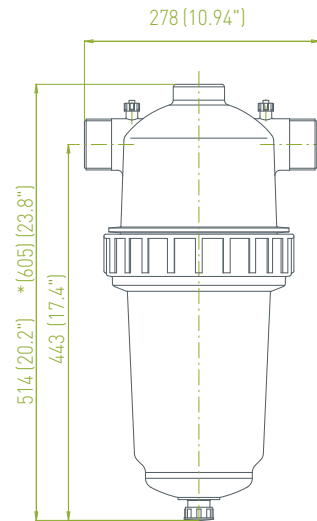
— Discs
— Screen

Dim: mm (inch)

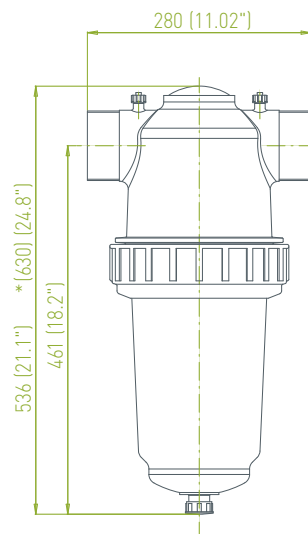
2"



2"-S



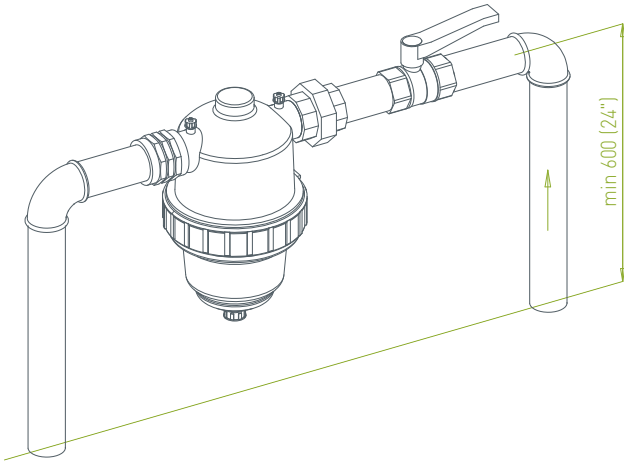
3"



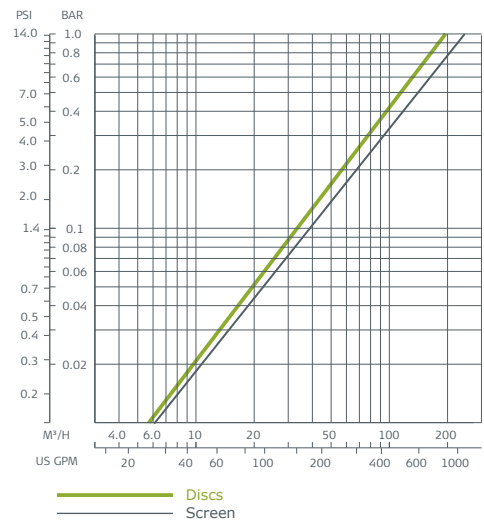
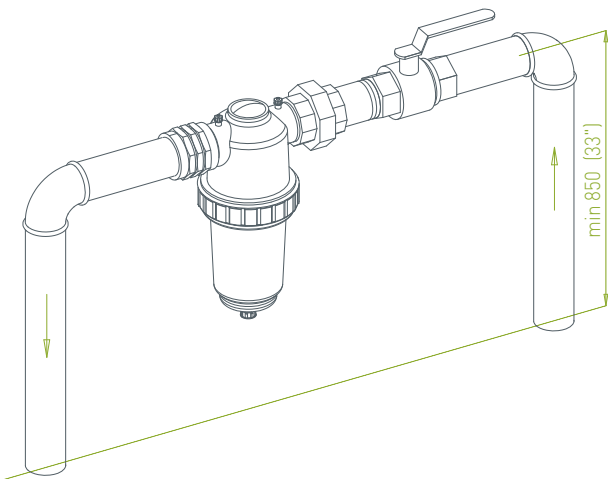
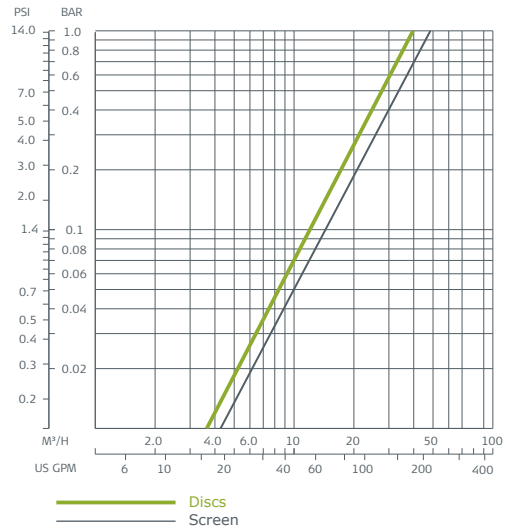
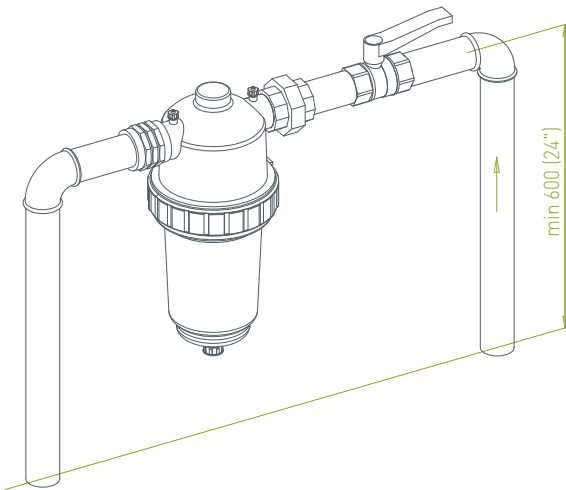
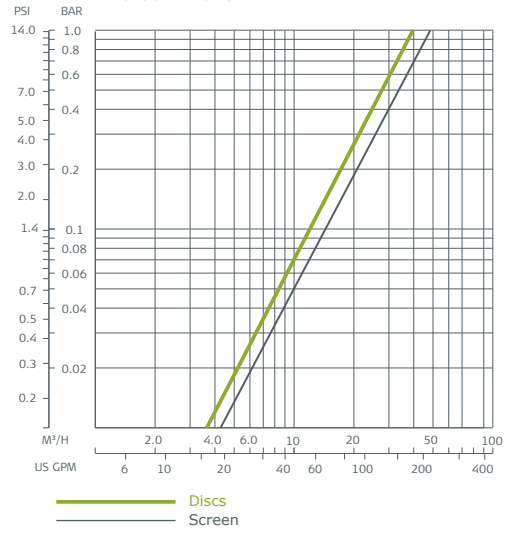
Dim: mm (inch)

*Approx. length required for maintenance

Typical Installation Drawing



Pressure Loss Graph in clean water



Dim: mm (inch)

Headquarters

Amiad Water Systems Ltd. D.N. Gatil Elyon 1, 1233500, Israel,
Tel: 972 4 690 9500, Fax: 972 4 814 1159,
E-mail: info@amiad.com

America



Amiad USA Inc. Main Office and Manufacturing: 120-J Talbert Road, Mooresville, NC 28117,
Tel: 1 704 662 3133, Fax: 1 704 662 3155, Toll Free: 1 800 24 FILTER,
E-mail: info@amiadusa.com www.amiadusa.com

West Coast Sales Office and Warehouse:
2220 Celsius Avenue, Oxnard, California 93030
Tel: 805 988 3323, Fax: 805 988 3313, Toll Free: 1 800 969 4055

Chile

Amiad Andina, Carretera General San Martín 16.500 No 30,
Loteo Industrial Los Libertadores, Colina, Santiago de Chile,
Tel: 56 2 24895100, Fax: 56 2 24895101, E-mail: amiadandina@amiad.com

Brazil

Amiad Sistemas de Água Ltda., Av. Funchal, 411, Conj. 42, Vila Olimpia, São Paulo, CEP 04551-060
Tel: +55 11 31923824, E-mail: infobrasil@amiad.com

Amiad Oil & Gas, E-mail: amisur@adinet.com.uy

Mexico

Amiad Mexico SA DE CV,
Tel/Fax: +52 55 636 28122,
E-mail: info@amiadmexico.com

Asia



India

Amiad Filtration India Pvt Limited, 305 Sai Commercial Building,
Govandi St Rd, Govandi Mumbai 400 088,
Tel: 91 22-67997813/14, Fax: 91 22-67997814, Email: info@amiadindia.com

China

Amiad China (Yixing Taixing Environtec Co., Ltd.) 70 Baihe Chang, Xingjie Yixing Jiangsu, 214204,
Tel: 86 510 87134000, Fax: 86 510 87134999, E-mail: marketing@taixing.cc

South-East Asia

Filtration & Control Systems Pte. Ltd., 19B Teo Hong Road, 088330 Singapore,
Tel: 65 6 337 6698, Fax: 65 6 337 8180, E-mail: amiad@amiad.com.sg

Australia



Amiad Australia Pty Ltd. 138 Northcorp Boulevard, Broadmeadows, Victoria 3047,
Tel: 61 3 93585800, Fax: 61 3 93585888, E-mail: sales@amiad.com.au

Europe



Amiad Water Systems Europe SAS, Ilot No4 ZI La Boitardière, 37530 Chargé, France,
Tel: 33 (0) 2 47 23 01 10, Fax: 33 (0) 2 47 23 80 67, E-mail: info@amiad-europe.com

Germany

Amiad Water Systems SAS Europe (German branch office)
Zweigniederlassung Deutschland Prinz-Regent-Str. 68 a 44795 Bochum,
Tel: 49 (0) 234 588082-0, Fax: 49 (0) 234 588082-12, E-mail: info@amiad.de

Turkey

FTS – Filtration & Treatment Systems, Istanbul yolu 26 Km, Yurt Orta Sanayii, Saray, Ankara,
Tel: 90 312 8155266/7, Fax: 90 312 8155248, E-mail: info@fts-filtration.com