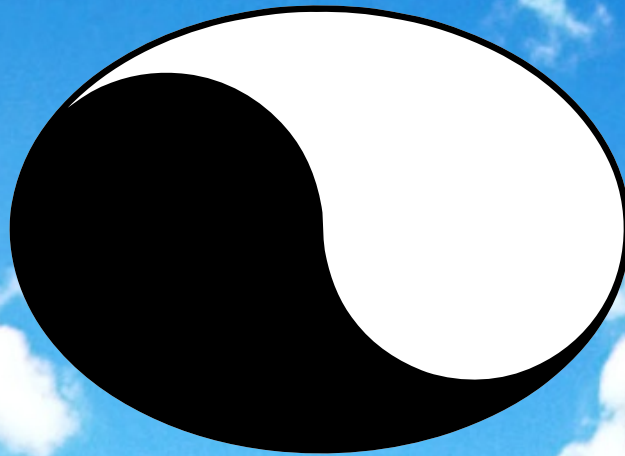


SPRINKLERS



Nodolini

VIETNAM



Nodolini Sprinklers is a professional company specialized in sprinklers. We have researched and developed our products for more than 50 years in Italy. This has allowed us to combine the solidity of our irrigator with high performance and extraordinary lightness. Our complete range of products is extremely high performance with modern technology. Our ongoing research over fifty-year period of business activity has made it possible to combine reliable mechanical engineering with the very best performance. We are sure that our products will effectively satisfy with the modern needs.

The range is split between sprinkler heads with medium throw (S45), long throw (S60) and very long throw (Jet 100 Plus). All medium-, long- and very long-range models feature protected moving parts enabling reliable operation to obtain maximum output with medium power systems. A plastic coating treatment is standard on this equipment and provides excellent protection of the exposed components.

We have built a lot of partners around the world so far. We have distribution channels in Europe, America, Canada, Latin America, Africa, Asia, Australia, Indonesia and more. Our distributors have increased dramatically these years.

The NODOLINI VIETNAM SPRINKLERS is an important branch of the NODOLINI SPRINKLERS.

We can offer a complete ranges of sprinklers for all the applications :

-AGRICULTURE

-DUST SUPPRESSION – INDUSTRY

-CORROSIVE LIQUIDS

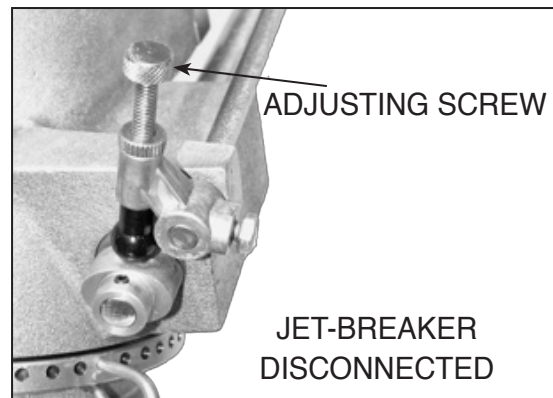
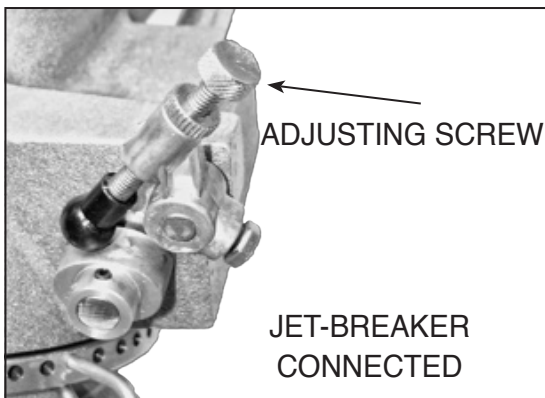
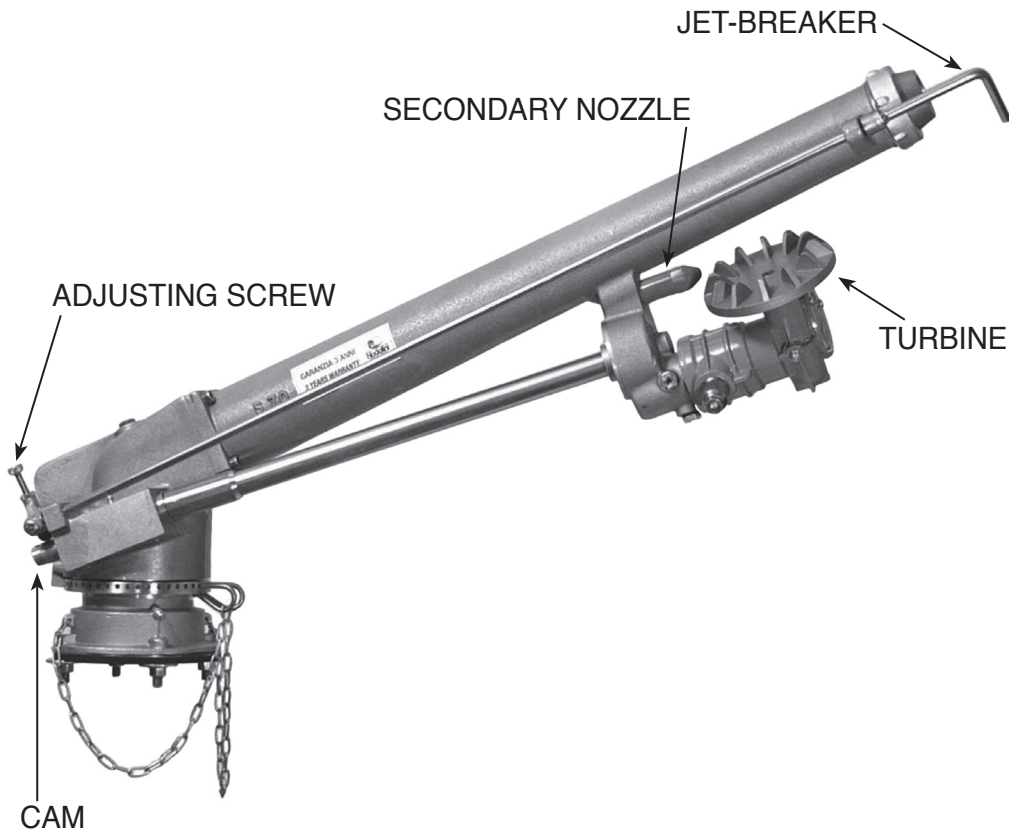
-ABRASIVE LIQUIDS

-MINING

Our company is also specialized for servicing, maintenance, calibration and reassembling.



FEATURES



ADVANTAGES OF THE TURBINE SPRINKLER

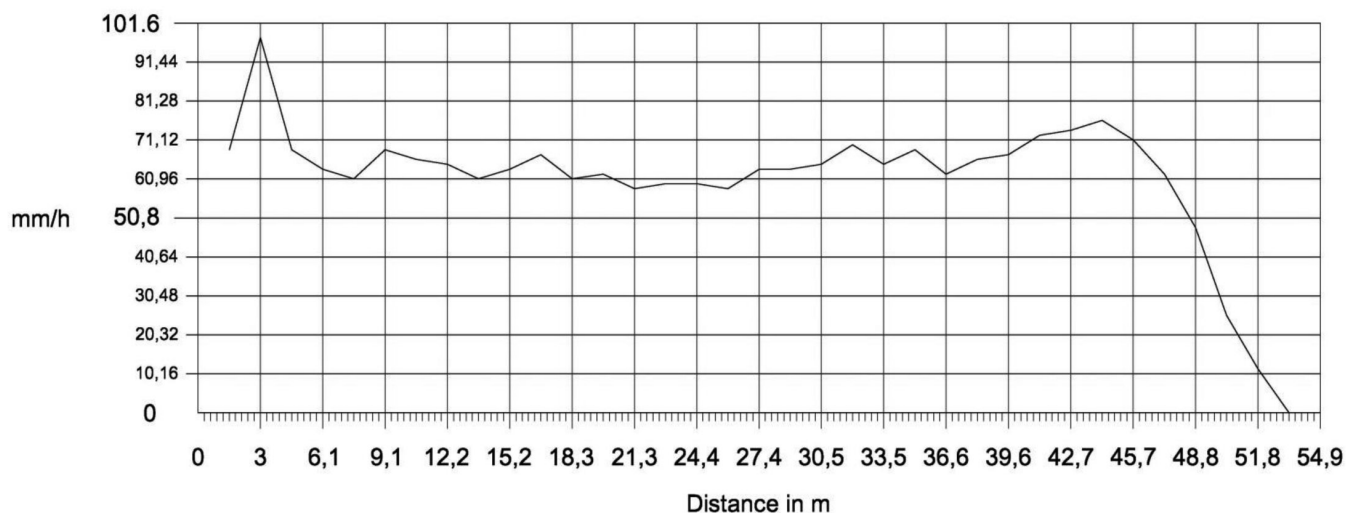
- All mechanical parts are internal and protected.
- The conical barrel provides greater performance.
- Compared to impact sprinklers, the turbine sprinkler does not have the brake that causes problems over time, does not have problems on steep terrain, works well and without vibrations also with high pressure (15 Atm - 220 psi).
- It works with a minimum angle of 4 degrees.
- The dynamic jet-breaker with adjustable interference, ensures a correct rain uniformity in all situations, even at low pressures where the other sprinklers normally have plenty of water over the last few meters of the throw and little in the first ones.

Below is our model S60 E / S60 with a 24-mm-diameter nozzle and a sprinkler pressure of 6 Atm (88.2 psi).
 In this situation we have optimized the watering uniformity with a jet-breaker interference of 3.5 mm.

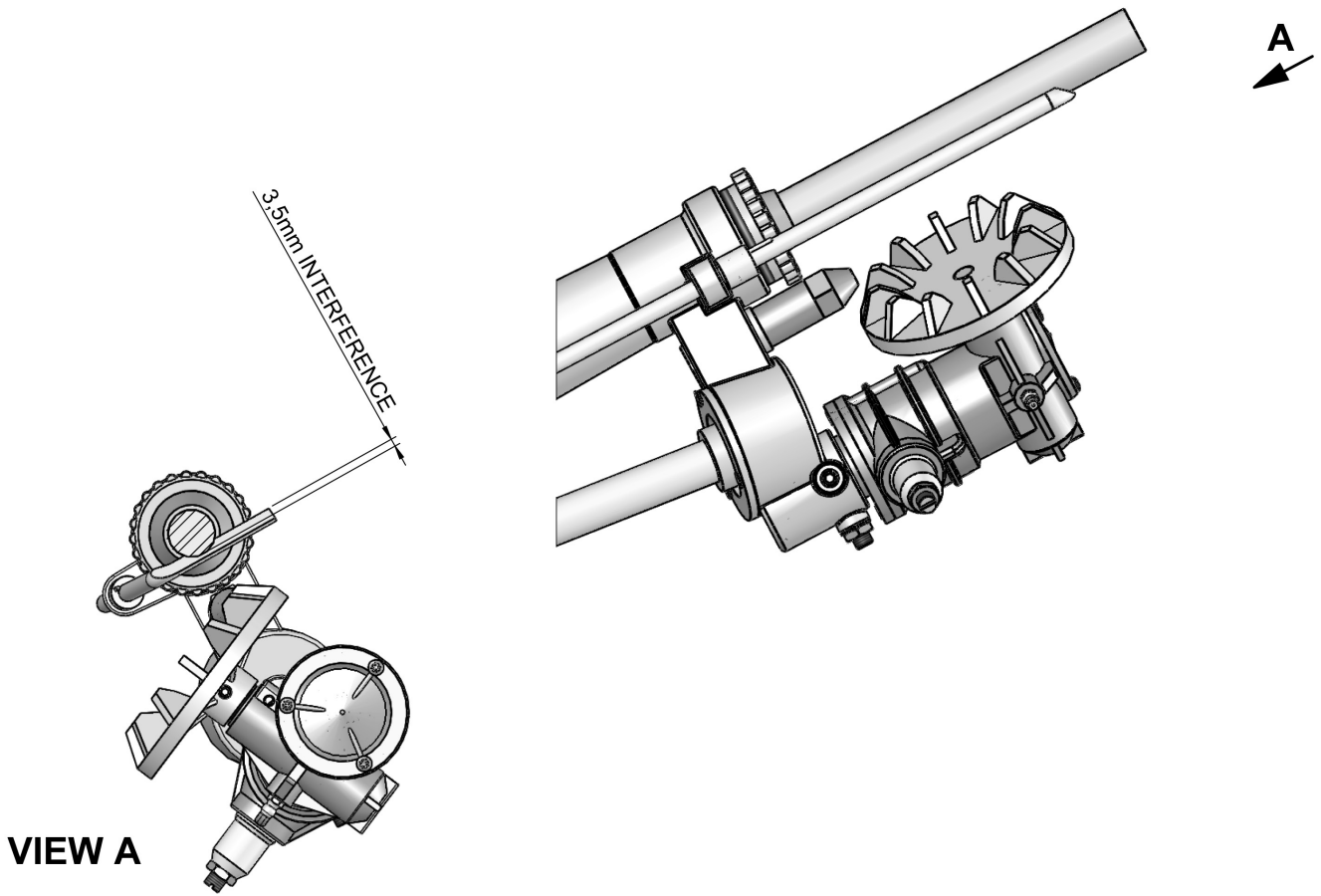
Water distribution diagram with S.I. (International System) measurement units drawn up at the Center for Irrigation Technology (C.I.T. Fresno)

Sprinkler Name	Nodolini			
Sprinkler Model	S60			
Date/Time of Test	12/17/2013 10:55			
Nozzle Size	24 mm	0,945 in		
Flow Rate	0.01495 m ³ /s	53,83 m ³ /h	897.14 l/min	237 gpm
Base Pressure	0,608 MPa	6,08 bar	6 atm	88,2 psi
Riser Height	0,61 m	24 in		
Set Screw Setting	3,5 mm	0,138 in		
Degree of Arc	0,698 rad	40°		

Sprinkler Radius of Throw per ASAE Standard S398.1: 52,1 m



1,5 = 68,58	15,2 = 63,50	29 = 63,50	42,7 = 73,66
3 = 97,79	16,8 = 67,31	30,5 = 64,77	44,2 = 76,20
4,6 = 68,58	18,3 = 60,96	32 = 69,85	45,7 = 71,12
6,1 = 63,50	19,8 = 62,23	33,5 = 64,77	47,2 = 62,23
7,6 = 60,96	21,3 = 58,42	35 = 68,58	48,8 = 48,26
9,1 = 68,58	22,9 = 59,69	36,6 = 62,23	50,3 = 25,40
10,7 = 66,04	24,4 = 59,69	38,1 = 66,04	51,8 = 11,43
12,2 = 64,77	25,9 = 58,42	39,6 = 67,31	
13,7 = 60,96	27,4 = 63,50	41,1 = 72,39	



Christiansen Uniformity Coefficient (C_u)

$$C_u = 100 \cdot \left(1 - \frac{\sum_{i=1}^n |h_i - h_m|}{n \cdot h_m} \right)$$

$$C_u = 100 \cdot \left(1 - \frac{225,64}{34 \cdot 62,98} \right) = 88\%$$

Christiansen Uniformity Value (C_u)	
> 87%	= excellent
> 83%	= very good
> 79%	= good
> 75%	= satisfactory
> 70%	= poor

Distribution Uniformity Coefficient (D_u)

$$D_u = 100 \cdot \left(\frac{h_{lq}}{h_m} \right)$$

$$D_u = 100 \cdot \left(\frac{53,53}{62,98} \right) = 85\%$$

Distribution Uniformity Value (D_u)	
> 85%	= excellent
> 80%	= very good
> 75%	= good
> 70%	= satisfactory
> 65%	= poor

S45

MEDIUM THROW

Thread Connection 1" 1/2 BSP



- Turbine sprinkler
- Conical pipe: high performances
- Perfect functioning on steep terrain
- No vibrations
- No break
- Intermittent jet-breaker adjustable for better uniformity of the rain
- Suitable for irrigation of delicate crops
- The sprinkler can operate with an angle of just 4°

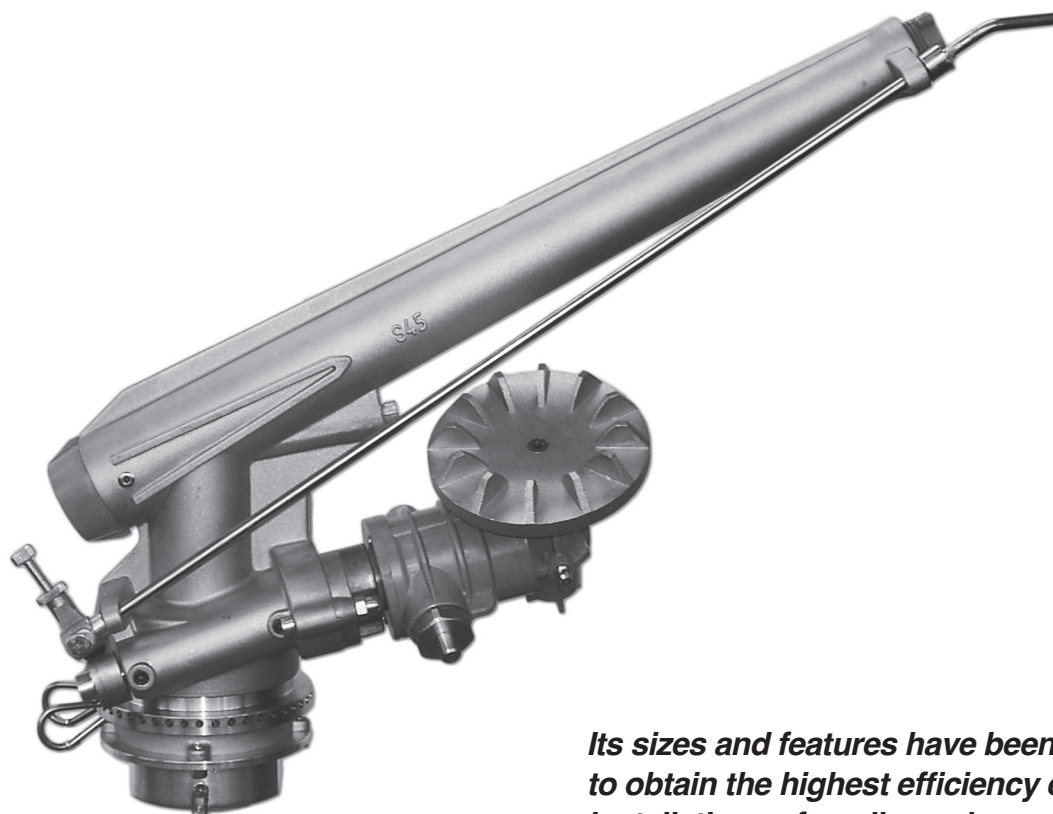
Nozzle ø mm	Pressure Atm.	Flow l/min	Radius of throw m
10	1,5 - 2,0 - 2,5	80 - 93 - 104	18 - 22 - 24
12	2,0 - 3,0 - 4,0	134 - 164 - 190	24 - 29 - 31
14	2,0 - 3,0 - 4,0	183 - 224 - 258	26 - 32 - 34
16	3,0 - 4,0 - 5,0	292 - 337 - 377	33 - 37 - 39
18	3,0 - 4,0 - 5,0	370 - 427 - 477	34 - 37 - 42
20	3,0 - 4,0 - 5,0	456 - 527 - 590	36 - 41 - 46
22	4,0 - 5,0 - 6,0	638 - 713 - 780	42 - 47 - 49
24	4,0 - 5,0 - 6,0	730 - 817 - 895	43 - 48 - 52

All technical data are indicative and not binding. They refer to a sprinkler place at max. 2 mt. height, without wind and with good weather conditions.

S45-2''

MEDIUM THROW

Thread Connection 2'' BSP



Its sizes and features have been designed to obtain the highest efficiency even with installations of medium – low power.

- Turbine sprinkler
- Conical pipe: high performances
- Perfect functioning on steep terrain
- No vibrations
- No break
- Intermittent jet-breaker adjustable for better uniformity of the rain
- Suitable for irrigation of delicate crops
- The sprinkler can operate with an angle of just 4°

Nozzle ø mm	Pressure Atm.	Flow l/min	Radius of throw m
18	3,0 - 4,0 - 5,0	370 - 427 - 477	35 - 39 - 43
20	3,0 - 4,0 - 5,0	456 - 527 - 590	36 - 43 - 47
22	4,0 - 5,0 - 6,0	638 - 713 - 780	44 - 48 - 50
24	4,0 - 5,0 - 6,0	730 - 817 - 895	44 - 50 - 54

All technical data are indicative and not binding. They refer to a sprinkler placed at max. 2 mt. height, without wind and with good weather conditions.

S60 E FULL CIRCLE

S60 E PART CIRCLE

LONG THROW

Thread Connection 2" BSP



- Turbine sprinkler
- Conical pipe: high performances
- Perfect functioning on steep terrain
- No vibrations
- No break
- Intermittent jet-breaker adjustable for better uniformity of the rain
- Suitable for irrigation of delicate crops
- The sprinkler can operate with an angle of just 4°

Nozzle ø mm	Pressure Atm.	Flow l/min	Radius of throw m
16	3,0 - 3,5 - 4,0	281 - 304 - 324	33 - 35 - 38
18	3,5 - 4,0 - 4,5	384 - 411 - 436	37 - 40 - 42
20	4,0 - 4,5 - 5,0	506 - 537 - 566	41 - 43 - 45
22	4,0 - 4,5 - 5,0	612 - 649 - 684	43 - 45 - 47
24	4,0 - 4,5 - 5,0	729 - 774 - 816	45 - 47 - 49
26	4,5 - 5,0 - 5,5	908 - 957 - 1004	47 - 49 - 51
28	4,5 - 5,0 - 5,5	1053 - 1110 - 1164	50 - 52 - 54
30	5,0 - 5,5 - 6,0	1273 - 1335 - 1394	53 - 55 - 57

All technical data are indicative and not binding. They refer to a sprinkler place dat max. 2 mt. height, without wind and with good weather conditions.

S60

LONG THROW

Thread Connection 2" ½ BSP

Nodolini Flange Connection



- Turbine sprinkler
- Conical pipe: high performances
- Perfect functioning on steep terrain
- No vibrations
- No break
- Intermittent jet-breaker adjustable for better uniformity of the rain
- Suitable for irrigation of delicate crops
- The sprinkler can operate with an angle of just 4°

Nozzle ø mm	Pressure Atm.	Flow l/min	Radius of throw m
20	4,0 - 4,5 - 5,0	506 - 537 - 566	41 - 43 - 45
22	4,0 - 4,5 - 5,0	612 - 649 - 684	43 - 45 - 47
24	4,0 - 4,5 - 5,0	729 - 774 - 816	45 - 47 - 49
26	4,5 - 5,0 - 5,5	908 - 957 - 1004	47 - 49 - 51
28	4,5 - 5,0 - 5,5	1053 - 1110 - 1164	50 - 52 - 54
30	5,0 - 5,5 - 6,0	1273 - 1335 - 1394	53 - 55 - 57

All technical data are indicative and not binding. They refer to a sprinkler placed at max. 2 mt. height, without wind and with good weather conditions.

S70

LONG THROW

Thread Connection 2" ½ BSP

Nodolini Flange Connection

The only sprinkler in the world
with internally ground conical nozzle pipe



- Turbine sprinkler
- Conical pipe: high performances
- Perfect functioning on steep terrain
- No vibrations
- No break
- Intermittent jet-breaker adjustable for better uniformity of the rain
- Suitable for irrigation of delicate crops
- The sprinkler can operate with an angle of just 4°

Nozzle ø mm	Pressure Atm.	Flow l/min	Radius of throw m
24	4,0 - 5,0 - 6,0	729 - 815 - 893	43 - 48 - 52
26	4,0 - 5,0 - 6,0	856 - 957 - 1048	47 - 49 - 51
28	4,0 - 5,0 - 6,0	992 - 1109 - 1215	50 - 52 - 54
30	5,0 - 6,0 - 7,0	1272 - 1393 - 1505	53 - 55 - 57
32	5,0 - 6,0 - 7,0	1449 - 1587 - 1714	57 - 63 - 66
34	6,0 - 7,0 - 8,0	1792 - 1935 - 2069	64 - 67 - 69
36	6,0 - 7,0 - 8,0	2009 - 2170 - 2320	65 - 69 - 71
38	7,0 - 8,0 - 9,0	2418 - 2585 - 2742	71 - 73 - 75

All technical data are indicative and not binding. They refer to a sprinkler placed at max. 2 mt. height, without wind and with good weather conditions.

S70 SUPER

LONG THROW

Big Flange Connection (Euroflange)

The only sprinkler in the world
with internally ground conical nozzle pipe



- Turbine sprinkler
- Conical pipe: high performances
- Perfect functioning on steep terrain
- No vibrations
- No break
- Intermittent jet-breaker adjustable for better uniformity of the rain
- Suitable for irrigation of delicate crops
- The sprinkler can operate with an angle of just 4°

Nozzle ø mm	Pressure Atm.	Flow l/min	Radius of throw m
24	4,0 - 5,0 - 6,0	729 - 815 - 893	45 - 53 - 56
26	4,0 - 5,0 - 6,0	856 - 957 - 1048	48 - 54 - 58
28	4,0 - 5,0 - 6,0	992 - 1109 - 1215	50 - 55 - 60
30	5,0 - 6,0 - 7,0	1272 - 1393 - 1505	56 - 62 - 64
32	5,0 - 6,0 - 7,0	1449 - 1587 - 1714	57 - 65 - 67
34	6,0 - 7,0 - 8,0	1792 - 1935 - 2069	65 - 69 - 70
36	6,0 - 7,0 - 8,0	2009 - 2170 - 2320	66 - 71 - 72
38	7,0 - 8,0 - 9,0	2418 - 2585 - 2742	72 - 74 - 76

All technical data are indicative and not binding. They refer to a sprinkler place dat max. 2 mt. height, without wind and with good weather conditions.

S80

LONG THROW

Nodolini Flange Connection

DN100 PN 16 EN1092-1 flange connection



- Turbine sprinkler
- Conical pipe: high performances
- Perfect functioning on steep terrain
- No vibrations
- No break
- Intermittent jet-breaker adjustable for better uniformity of the rain
- Suitable for irrigation of delicate crops
- The sprinkler can operate with an angle of just 4°

Nozzle ø mm	Pressure Atm.	Flow l/min	Radius of throw m
26	4,5 - 5,0 - 5,5	908 - 957 - 1004	49 - 52 - 53
28	4,5 - 5,0 - 5,5	1053 - 1110 - 1164	51 - 54 - 56
30	5,0 - 5,5 - 6,0	1273 - 1335 - 1394	55 - 57 - 60
32	5,5 - 6,0 - 6,5	1520 - 1587 - 1652	59 - 62 - 65
34	6,0 - 6,5 - 7,0	1792 - 1865 - 1935	63 - 66 - 68
36	6,0 - 7,0 - 8,0	2008 - 2169 - 2319	65 - 70 - 75
38	7,0 - 8,0 - 9,0	2418 - 2585 - 2742	73 - 76 - 79

All technical data are indicative and not binding. They refer to a sprinkler placed at max. 2 mt. height, without wind and with good weather conditions.

S80 SUPER

VERY LONG THROW

Nodolini Flange Connection

DN100 PN 16 EN1092-1 flange connection



- Turbine sprinkler
- Conical pipe: high performances
- Perfect functioning on steep terrain
- No vibrations
- No break
- Intermittent jet-breaker adjustable for better uniformity of the rain
- Suitable for irrigation of delicate crops
- The sprinkler can operate with an angle of just 4°

Nozzle ø mm	Pressure Atm.	Flow l/min	Radius of throw m
30	5,0 - 5,5 - 6,0	1272 - 1335 - 1394	56 - 60 - 62
32	6,0 - 6,5 - 7,0	1587 - 1652 - 1714	61 - 65 - 68
34	6,0 - 6,5 - 7,0	1792 - 1865 - 1935	63 - 66 - 70
36	7,0 - 8,0 - 9,0	2169 - 2319 - 2460	71 - 74 - 80
38	7,0 - 8,0 - 9,0	2418 - 2585 - 2742	73 - 78 - 83
40	8,0 - 9,0 - 10,0	2864 - 3038 - 3203	81 - 86 - 90
42	8,0 - 9,0 - 10,0	3120 - 3310 - 3490	83 - 89 - 93
44	9,0 - 10,0 - 11,0	3630 - 3830 - 4050	92 - 95 - 99

All technical data are indicative and not binding. They refer to a sprinkler placed at max. 2 mt. height, without wind and with good weather conditions.

JET 100 PLUS

VERY LONG THROW
Nodolini Flange Connection

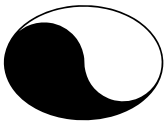


- Turbine sprinkler
- Conical pipe: high performances
- Perfect functioning on steep terrain
- No vibrations
- No break
- Intermittent jet-breaker adjustable for better uniformity of the rain
- Suitable for irrigation of delicate crops
- The sprinkler can operate with an angle of just 4°
- Revolving joint

Nozzle ø mm	Pressure Atm.	Flow l/min	Radius of throw m
34	6,0 - 6,5 - 7,0	1704 - 1840 - 1907	69 - 70 - 73
36	7,0 - 8,0 - 9,0	2141 - 2289 - 2428	75 - 80 - 83
38	7,0 - 8,0 - 9,0	2390 - 2555 - 2710	76 - 81 - 85
40	8,0 - 9,0 - 10,0	2834 - 3006 - 3171	83 - 88 - 91
42	10,0 - 10,5 - 11,0	3498 - 3586 - 3665	95 - 98 - 101
44	10,5 - 11,0 - 11,5	3939 - 4034 - 4118	100 - 103 - 105
46	10,5 - 11,0 - 11,5	4350 - 4430 - 4550	101 - 105 - 106

All technical data are indicative and not binding. They refer to a sprinkler placed at max. 2 mt. height, without wind and with good weather conditions.

SPRINKLERS



Nodolini
VIETNAM

Ad: No.66 - C18 Street - 12.ward - Tan Binh.district

Hochiminh city - Vietnam.

Company`s phone: 84 8 668 53197

mobile: 0932 042 509

Email: vietnam@nodolini.com

website: www.nodolinivietnam.com