

Plastic Filters

Durable high quality Plastic filters for wide range of filtration applications



flowrates

**up to 50 m³/h
(220 US gpm)**

filtration degrees

3500-22 micron

diameters

¾" - 3"

max. operating pressure

10 bar (150 psi)

features:

- Interchangeable filter elements for wide range of flowrates, multiple filtration degrees and applications
- Excellent mechanical strength, corrosion resistance for chemical compatibility
- Low pressure loss
- Easy to install and maintain, no tools required for rinsing
- Available with exclusive features for semi-automatic cleaning
- Wide range of applications for the irrigation, municipal and industrial markets

Amiad Plastic Filters

General

With a variety of filter elements, Amiad all purpose plastic filters are made for wide range of filtering applications, filtration degrees, and are easy to install and maintain. They are constructed from high quality engineered-plastic materials providing excellent mechanical strength, durability and chemical resistance.

Amiad plastic filters need no tools for dismantling or removing the filter element from the filter housing for rinsing; Visual monitoring the status of the filter element without disrupting the water flow is easily done with Amiad's innovative clogging indicator connected to the filter's pressure check points.

Amiad plastic filters can be upgraded to semi-automatic operation by adding one of Amiad's exclusive Brushaway or Scanaway assemblies.

Filter Elements

Amiad supplies a variety of filter elements for its plastic filters that cover a wide range of flowrates, filtration degrees and applications.

Screen Elements: (1)

These screen elements are constructed of molded plastic ribs that support a stainless steel weave-wire or weaved nylon screen for filtration degrees of 800 to 22 micron.

Perforated Stainless Steel Elements: (2)

Suitable for coarse filtration (straining) between 3,500 and 800 micron.

Disc Elements: (3)

The disc elements are designed for effective removal of organic substances. The elements are constructed using engineered plastic discs that are stacked onto a telescopic core.

The discs are grooved on both sides and intersect to form the filtration element when compressed.



The effective filtration area is comprised of both the outside surface and the channels formed by the intersecting grooves. Suspended organic particles adhere to the grooved surface adding depth to the filtration process. Cleaning the disc element is made simple by the unique design of the telescopic core which allows the discs to separate during the cleaning process while maintaining perfect sealing when the element is in the filter housing.

Filtration Degrees Available

The following table lists the various filter elements of Amiad's Plastic Filters line and the optional filtration degrees for each filter element. For ease of operation and maintenance the filter elements are color coded. Please consult your dealer for the most suitable filter element for your application requirements.

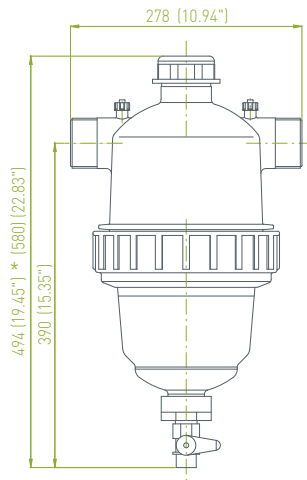
Color	Orange	Black	Yellow	Red	Purple	White	Brown	Blue	Green	Gray			
Micron	50	80	100	130	180	200	250	300	500	800	1500	2500	3500
Mesh	300	200	155	120	80	75	60	50	30	20	10	6	4
¾", 1"C	■▲	■▲	■▲	■▲		■▲		■▲	■▲	■			
1"S, 1½"C, 1½"S	■▲	■▲	■▲	■▲●		■▲	●	■▲	■▲	■			
2", 3"	▲	▲	▲●	▲●	●	▲	●	▲	▲	★	★	★	●

■ Nylon Screen ▲ Weave Wire Screen ● Disc Element ★ Perforated Screen

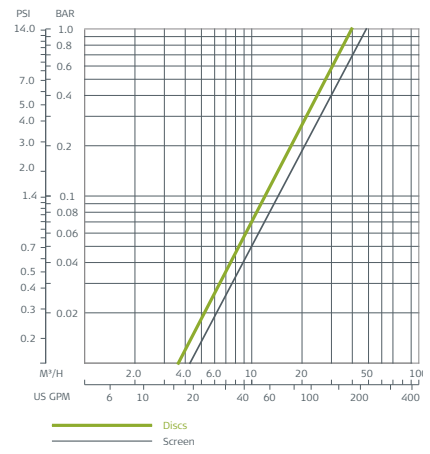
2" T



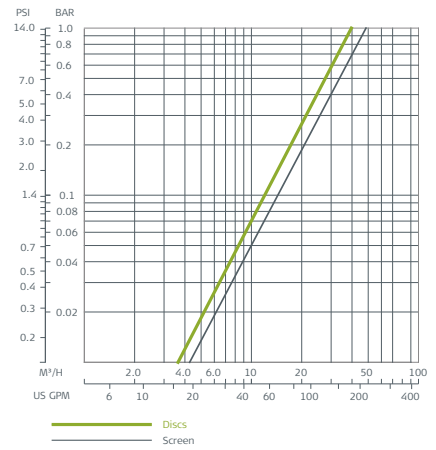
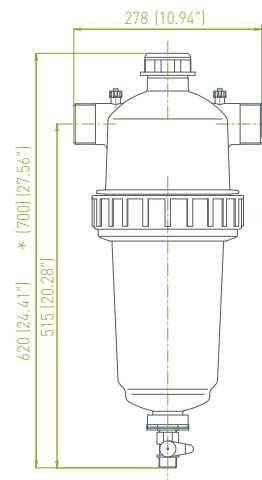
Typical Installation Drawing



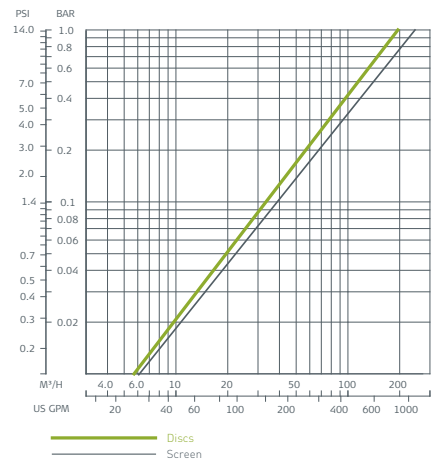
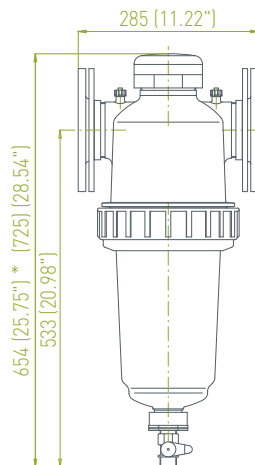
Pressure Loss Graph in clean water



2" T Super



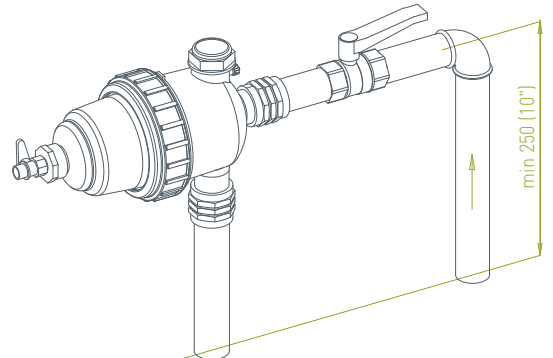
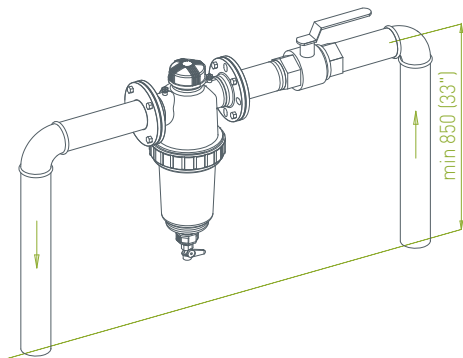
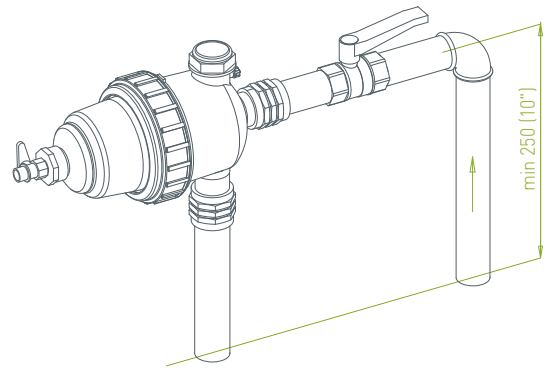
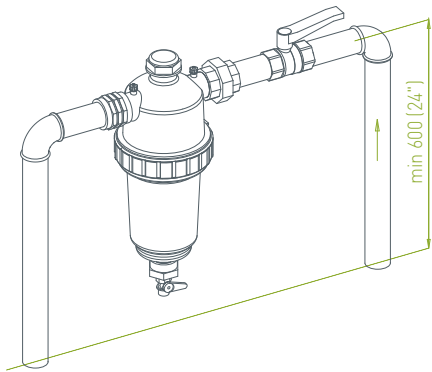
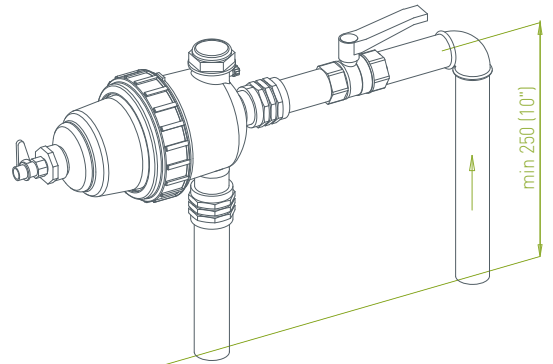
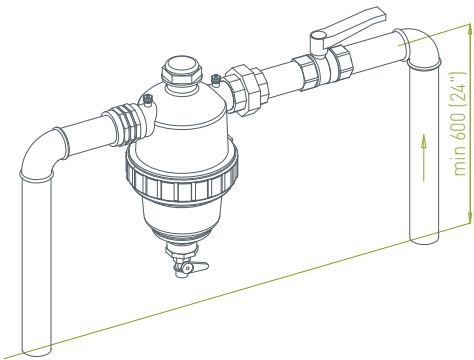
3" TL



Dim: mm (inch)

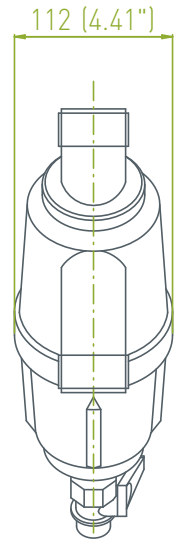
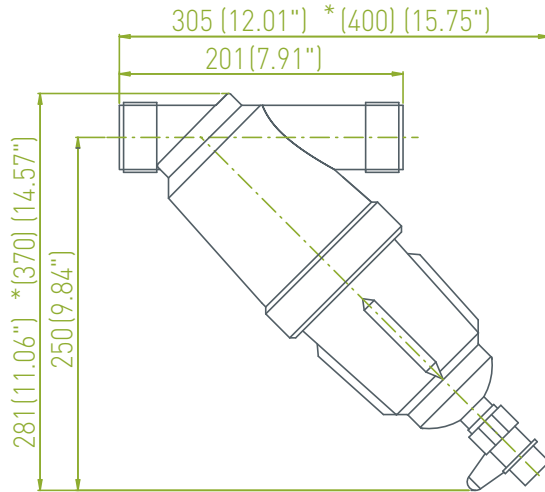
*Approx. length required for maintenance

Typical Installation Drawing

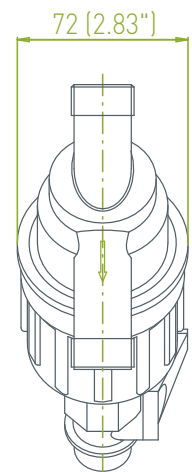
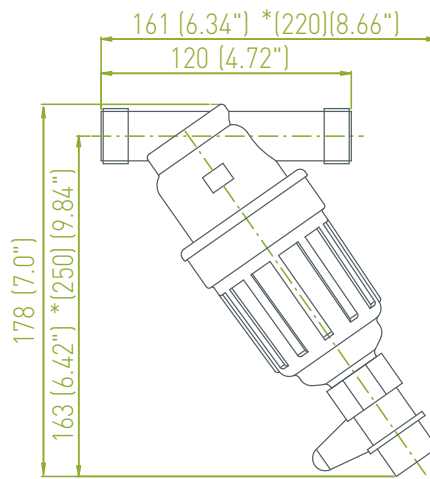


Dim: mm (inch)

1½" Super



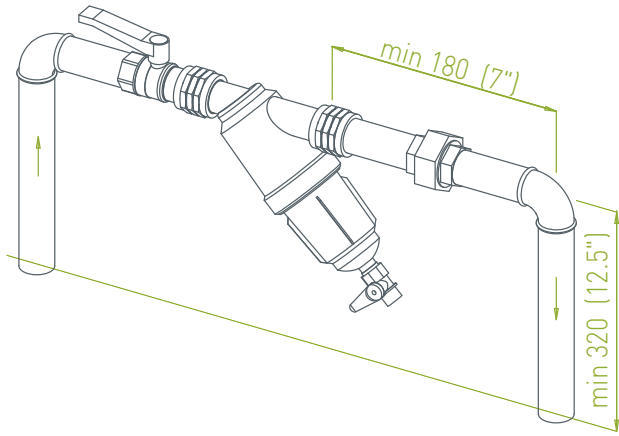
¾"



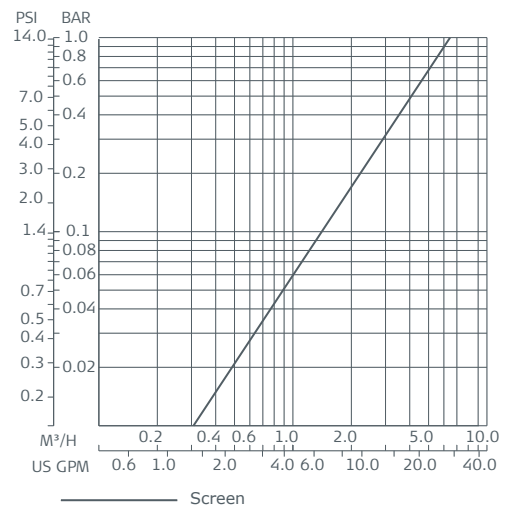
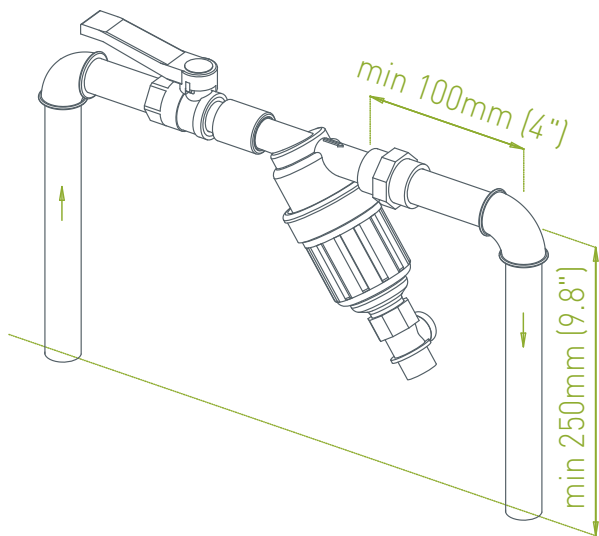
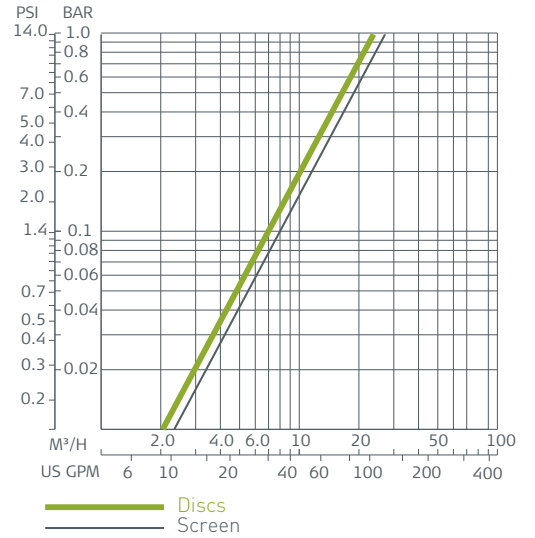
Dim: mm (inch)

*Approx. length required for maintenance

Typical Installation Drawing

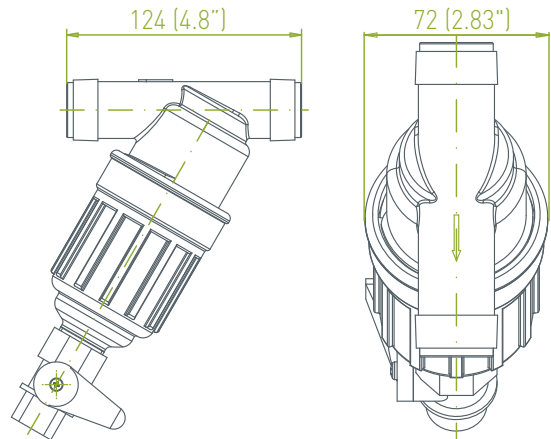


Pressure Loss Graph in clean water

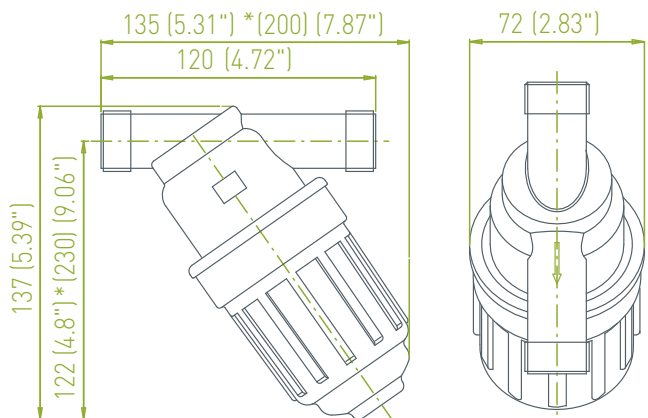


Dim: mm (inch)

1" Compact



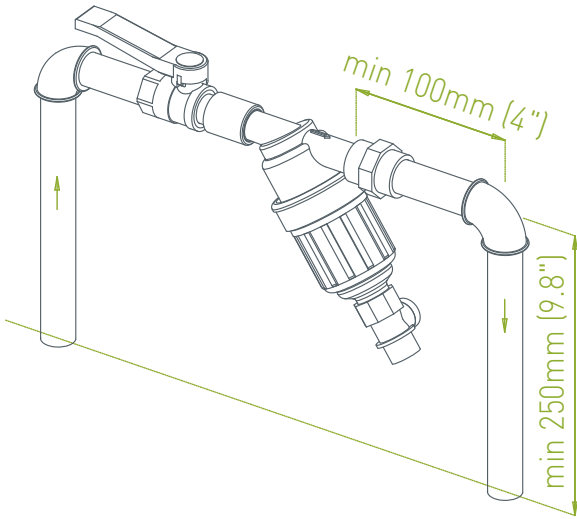
3/4" & 1" Compact w/o valve



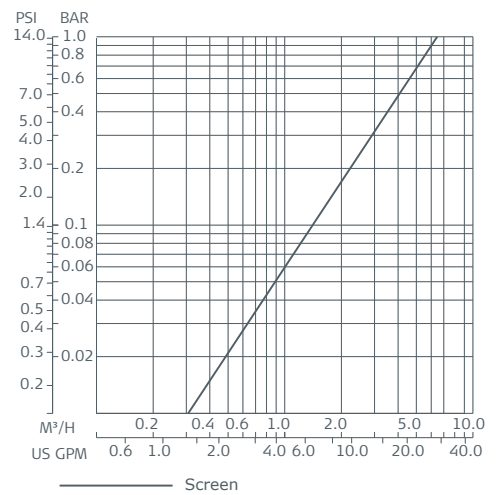
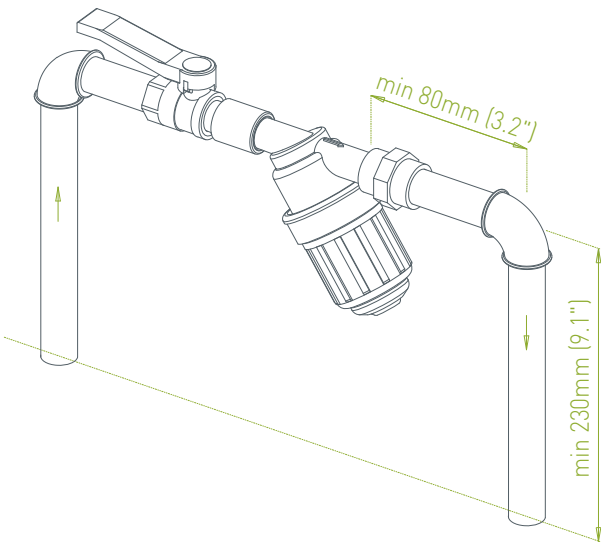
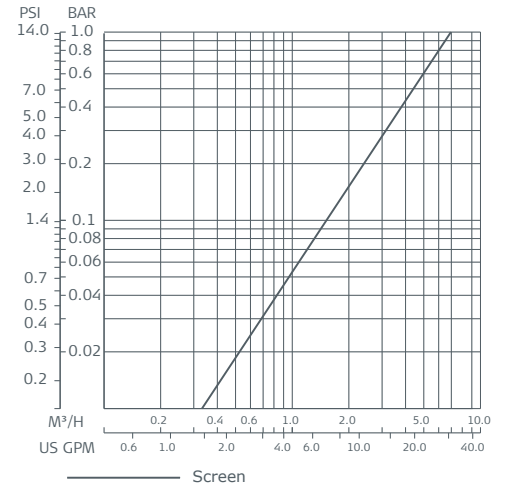
Dim: mm (inch)

*Approx. length required for maintenance

Typical Installation Drawing



Pressure Loss Graph in clean water



Dim: mm (inch)

Technical Specifications

Filter Type	2" T	2" T-S	3" TL
General Data			
Maximum flowrate*	25 m ³ /h (110 US gpm)	25 m ³ /h (110 US gpm)	50 m ³ /h (220 US gpm)
Inlet/Outlet diameter	2" (50 mm)	2" (50 mm)	3" (80 mm)
Standard filtration degrees	3500, 2500, 1500, 800, 500, 300, 250, 200, 130, 100, 80, 50 micron		
Max. working pressure	10 bar (150 psi)		
Max. working temperature	60°C (140°F)		
Weight [empty]	Screen = 3.6 kg (7.9 lb) Discs = 4.4 kg (9.7 lb)	Screen = 4.2 kg (9.2 lb) Discs = 5.4 kg (11.9 lb)	Screen = 4.5 kg (9.9 lb) Discs = 5.7 kg (12.5 lb)

* Consult Amiad for optimum flow depending on filtration degree & water quality.

Engineering Data

Filter Type	2" T	2" T-S	3" TL
Filter Element Data			
Filter area	Screen = 465 cm ² (72 in ²) Discs = 790 cm ² (122 in ²)	Screen = 700 cm ² (108 in ²) Discs = 1185 cm ² (184 in ²)	Screen = 700 cm ² (108 in ²) Discs = 1185 cm ² (184 in ²)
Filter Element type	Weave Wire Screen, Perforated Screen, Disc Element		

*Construction Materials			
Filter housing	Polyamide + Glass Fibers		
Filter Lid	Polyamide + Glass Fibers		
Tightening nut	Polyamide + Glass Fibers		
Clamp	N/A		
Housing seal	NBR		
Screen	Construction = Polypropylene + Glass Fibers	Mesh = St. St.	Seals = NBR
Discs	Construction = Polypropylene	Grooved discs = polyethylene	Seals = NBR

* Amiad offers a variety of construction materials. Consult us for specifications.

Technical Specifications

Filter Type	¾"	1" Compact	1½" Super
-------------	----	------------	-----------

General Data			
Maximum flowrate*	3 m³/h (13.2 US gpm)	5 m³/h (22 US gpm)	15 m³/h (66 US gpm)
Inlet/Outlet diameter	¾" (20 mm)	1" (25 mm)	1½" (40 mm)
Standard filtration degrees	800, 500, 300, 200, 130, 100, 80, 50, 22 micron		
Max. working pressure**	10 bar (150 psi)		
Working temperature range	60°C (140°F)		
Weight [empty]	Screen = 0.28 kg (0.61 lb)	Screen = 0.30 kg (0.66 lb)	Screen = 1.0 kg (2.2 lb) Discs = 1.2 kg (2.64 lb)

* Consult amiad for optimum flow depending on filtration degree & water quality.

** Chemical resistant filters are rated to 8 bar (116 psi).

Filter Type	¾"	1" Compact	1½" Super
-------------	----	------------	-----------

Filter Element Data			
Filter area	Screen = 110 cm² (17 in²)	Screen = 110 cm² (17 in²)	Screen = 340 cm² (52.7 in²) Discs = 460 cm² (71.3 in²)
Filter Element type	Nylon screen, Weavewire screen		Weave Wire Screen, Perforated Screen, Disc Element

Engineering Data

Filter Type	¾"	1" Compact	1½" Super
-------------	----	------------	-----------

* Construction Materials			
Filter housing	Polyacetal		Polypropylene
Filter Lid	Polyacetal		Polypropylene
Housing seal	NBR		Viton or NBR
Screen	Construction = Polypropylene Mesh = St. St. or Polyester Seals = NBR		Construction = Polypropylene Mesh = St. St. or Polyester Seals = Viton or NBR

* Amiad offers a variety of construction materials. Consult us for specifications.

Headquarters

Amiad Water Systems Ltd. D.N. Gatil Elyon 1, 1233500, Israel,
Tel: 972 4 690 9500, Fax: 972 4 814 1159,
E-mail: info@amiad.com

America



Amiad USA Inc. Main Office and Manufacturing: 120-J Talbert Road, Mooresville, NC 28117,
Tel: 1 704 662 3133, Fax: 1 704 662 3155, Toll Free: 1 800 24 FILTER,
E-mail: info@amiadusa.com www.amiadusa.com

West Coast Sales Office and Warehouse:
2220 Celsius Avenue, Oxnard, California 93030
Tel: 805 988 3323, Fax: 805 988 3313, Toll Free: 1 800 969 4055

Chile

Amiad Andina, Carretera General San Martín 16.500 No 30,
Loteo Industrial Los Libertadores, Colina, Santiago de Chile,
Tel: 56 2 24895100, Fax: 56 2 24895101, E-mail: amiadandina@amiad.com

Brazil

Amiad Sistemas de Água Ltda., Av. Funchal, 411, Conj. 42, Vila Olimpia, São Paulo, CEP 04551-060
Tel: +55 11 31923824, E-mail: infobrasil@amiad.com

Amiad Oil & Gas, E-mail: amisur@adinet.com.uy

Mexico

Amiad Mexico SA DE CV,
Tel/Fax: +52 55 636 28122,
E-mail: info@amiadmexico.com

Asia



India

Amiad Filtration India Pvt Limited, 305 Sai Commercial Building,
Govandi St Rd, Govandi Mumbai 400 088,
Tel: 91 22-67997813/14, Fax: 91 22-67997814, Email: info@amiadindia.com

China

Amiad China (Yixing Taixing Environtec Co., Ltd.) 70 Baihe Chang, Xingjie Yixing Jiangsu, 214204,
Tel: 86 510 87134000, Fax: 86 510 87134999, E-mail: marketing@taixing.cc

South-East Asia

Filtration & Control Systems Pte. Ltd., 19B Teo Hong Road, 088330 Singapore,
Tel: 65 6 337 6698, Fax: 65 6 337 8180, E-mail: amiad@amiad.com.sg

Australia



Amiad Australia Pty Ltd. 138 Northcorp Boulevard, Broadmeadows, Victoria 3047,
Tel: 61 3 93585800, Fax: 61 3 93585888, E-mail: sales@amiad.com.au

Europe



Amiad Water Systems Europe SAS, Ilot No4 ZI La Boitardière, 37530 Chargé, France,
Tel: 33 (0) 2 47 23 01 10, Fax: 33 (0) 2 47 23 80 67, E-mail: info@amiad-europe.com

Germany

Amiad Water Systems SAS Europe (German branch office)
Zweigniederlassung Deutschland Prinz-Regent-Str. 68 a 44795 Bochum,
Tel: 49 (0) 234 588082-0, Fax: 49 (0) 234 588082-12, E-mail: info@amiad.de

Turkey

FTS – Filtration & Treatment Systems, Istanbul yolu 26 Km, Yurt Orta Sanayii, Saray, Ankara,
Tel: 90 312 8155266/7, Fax: 90 312 8155248, E-mail: info@fts-filtration.com