

---

# **Nodolini**

---

## **SPRINKLERS**

**SPRINKLERS  
FOR DUST SUPPRESSION  
INDUSTRY  
MINING**



NODOLINI SPRINKLERS is proud to present its range of **Dust Suppression sprinklers**, specifically designed to suppress dust.

Our ongoing research and experience during over forty years of business has made it possible to achieve the best performance with engineered solutions.

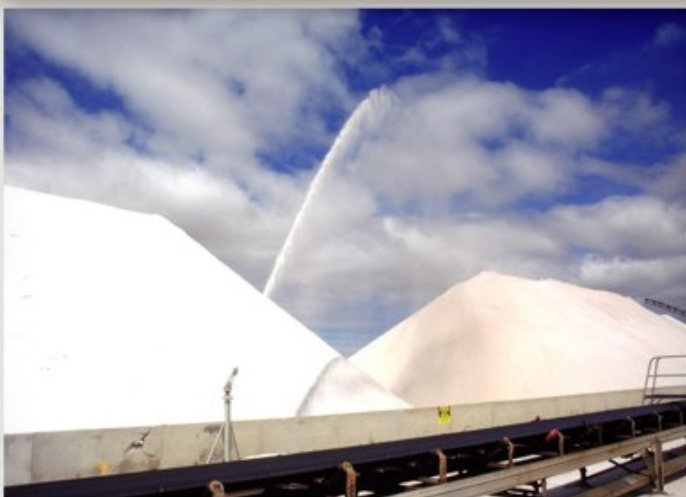
The range with trajectory 43° is normally used for stockpiles.

All **Dust Suppression** models feature protected moving parts so they are able to work under heavy duty conditions as in silica sand dust control.

The strong construction allows to work with high pressures (1500 kPa -15 Atm.) and a turbine system without vibrations.

A plastic powder coated finish is provided as standard to protect exposed parts.

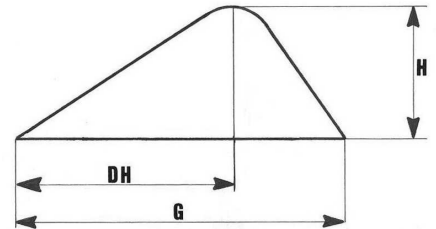
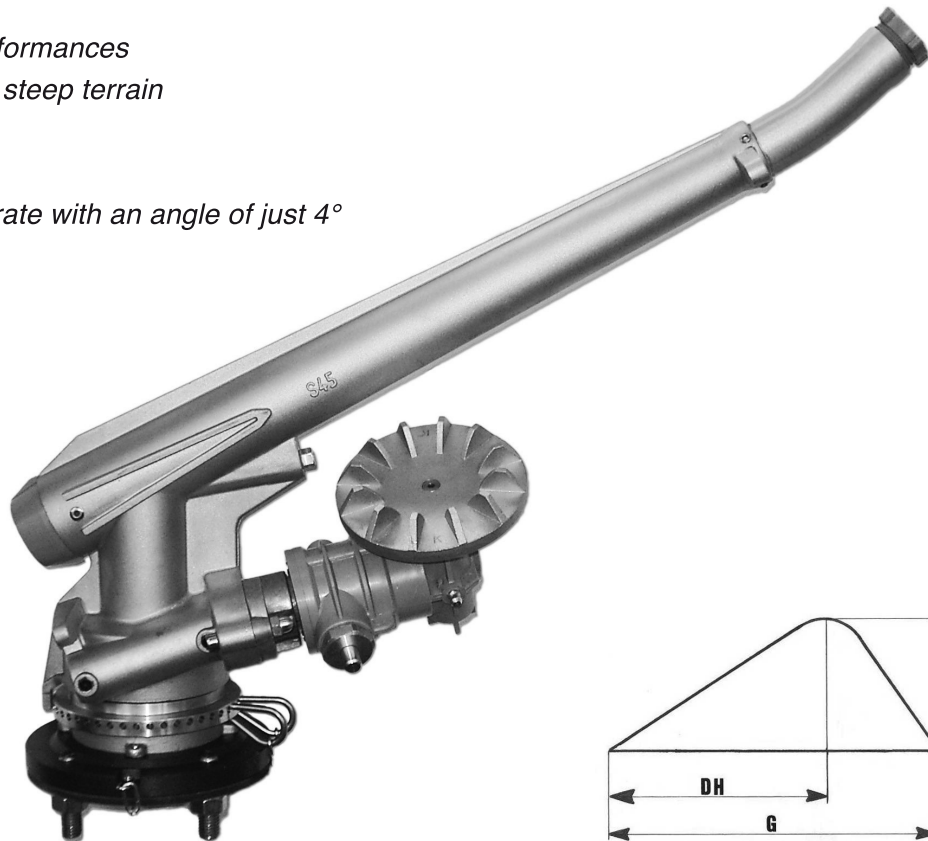
For aggressive liquids and environments, we recommend using the sprinklers of the C.W. range.



# S45 - 43° DUST SUPPRESSION

Thread connection 2" BSPF or  
 Flange PN6 DN50  
 Flange ANSI-DIN (ANSI 2" DIN 50 mm)

- Turbine Sprinkler
- Conical pipe: high performances
- Perfect functioning on steep terrain
- No vibrations
- No break
- The sprinkler can operate with an angle of just 4°



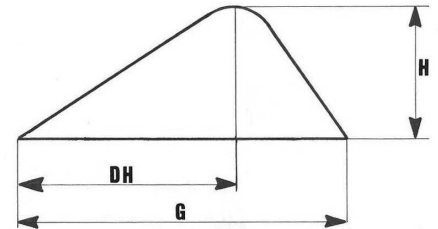
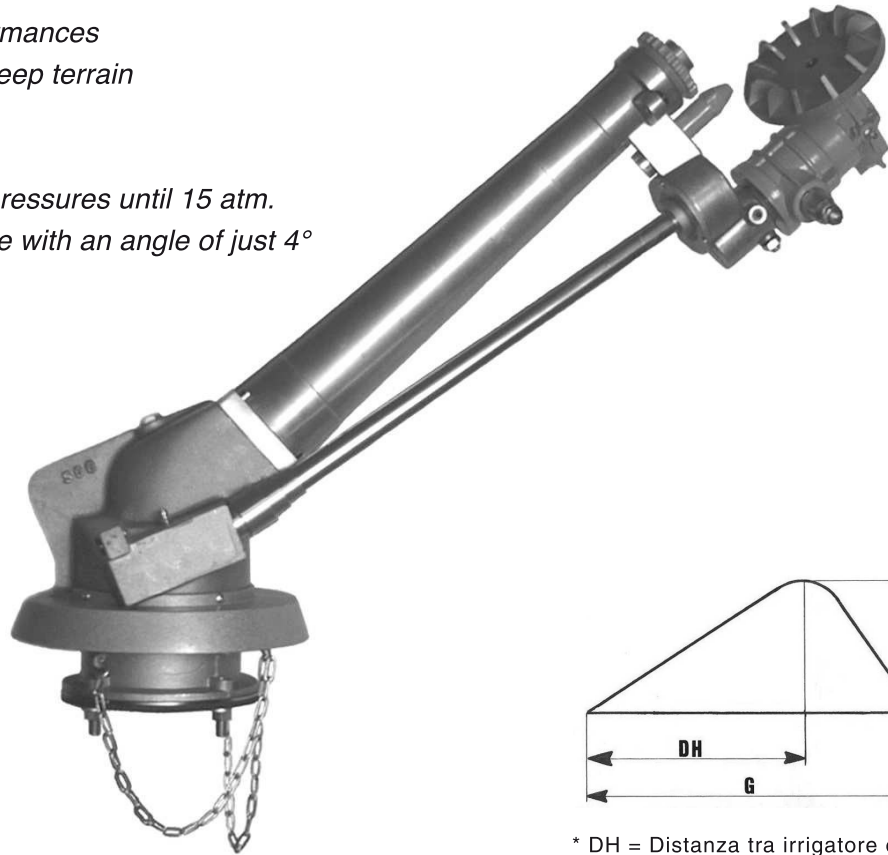
\* DH = Distanza tra irrigatore e apogeo  
 Distance from sprinkler to apogee

Nozzle ø mm	Pressure Atm.	Discharge l/h	Length of jet G m	Apogee H m	Distance DH* m
12	2,0 - 3,0 - 4,0	134 - 164 - 190	24 - 29 - 31	8,5 - 9,5 - 10,5	14 - 17 - 18,5
14	2,0 - 3,0 - 4,0	183 - 224 - 258	26 - 32 - 34	9 - 10 - 11	15 - 18 - 20
16	3,0 - 4,0 - 5,0	292 - 337 - 377	33 - 37 - 39	10,5 - 11,5 - 13	19,5 - 21 - 22,5
18	3,0 - 4,0 - 5,0	370 - 427 - 477	34 - 37 - 42	11 - 12,5 - 14	20 - 23 - 25
20	3,0 - 4,0 - 5,0	456 - 527 - 590	36 - 41 - 46	11,5 - 13,5 - 15	22 - 23,5 - 26,5
22	4,0 - 5,0 - 6,0	638 - 713 - 780	42 - 47 - 49	14 - 15,5 - 17	24,5 - 27,5 - 29,5
24	4,0 - 5,0 - 6,0	730 - 817 - 895	43 - 48 - 52	14,5 - 16,5 - 18	25,5 - 28,5 - 30,5

## S60 - 43° DUST SUPPRESSION

Nodolini flange connection  
 Female thread connection 2" ½ BSP  
 Female thread connection 2" BSP

- Turbine Sprinkler
- Conical pipe: high performances
- Perfect functioning on steep terrain
- No vibrations
- No break
- Strong construction for pressures until 15 atm.
- The sprinkler can operate with an angle of just 4°



\* DH = Distanza tra irrigatore e apogeo  
 Distance from sprinkler to apogee

Nozzle ø mm	Pressure Atm.	Discharge l/h	Length of jet G m	Apogee H m	Distance DH* m
20	3,0 - 4,0 - 5,0	440 - 506 - 566	37 - 41 - 44	11 - 14 - 17	22 - 26 - 29
22	3,0 - 4,0 - 5,0	530 - 612 - 684	38 - 42 - 45	12 - 15 - 18	23 - 27 - 30
24	4,0 - 5,0 - 6,0	729 - 816 - 895	44 - 48 - 51	16.5 - 18 - 20	28 - 32 - 36
26	4,0 - 5,0 - 6,0	857 - 957 - 1050	46 - 50 - 52	16.5 - 18.5 - 20.5	30 - 33 - 36
28	4,0 - 5,0 - 6,0	994 - 1110 - 1220	48 - 51 - 54	17 - 19 - 21.5	31 - 34 - 37
30	5,0 - 6,0 - 7,0	1273 - 1394 - 1513	55 - 62 - 64	21 - 23 - 25	39 - 43 - 45

The technical characteristics are indicative and not binding

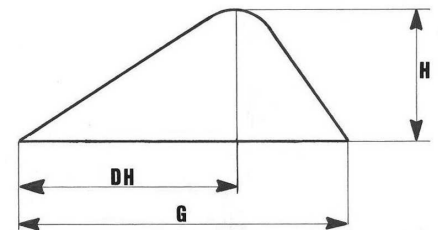
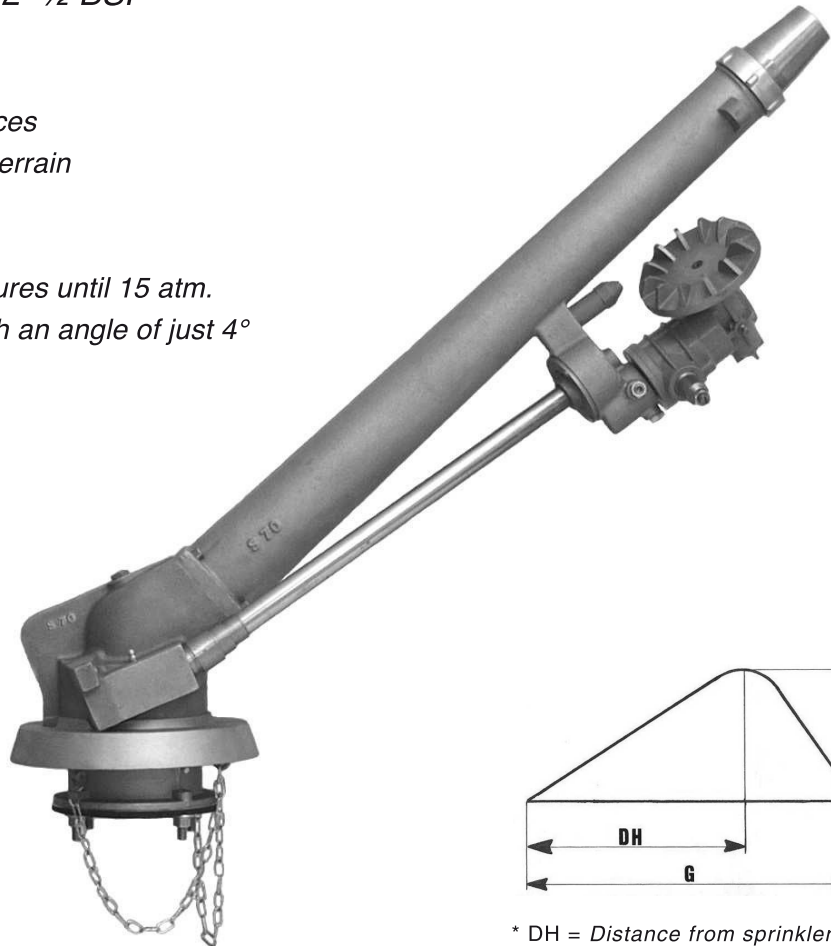
## S70 - 43° DUST SUPPRESSION

*Nodolini flange connection*

*Big flange connection (Euroflange)*

*Female thread connection 2" ½ BSP*

- Turbine Sprinkler
- Conical pipe: high performances
- Perfect functioning on steep terrain
- No vibrations
- No break
- Strong construction for pressures until 15 atm.
- The sprinkler can operate with an angle of just 4°



\* DH = Distance from sprinkler to apogee

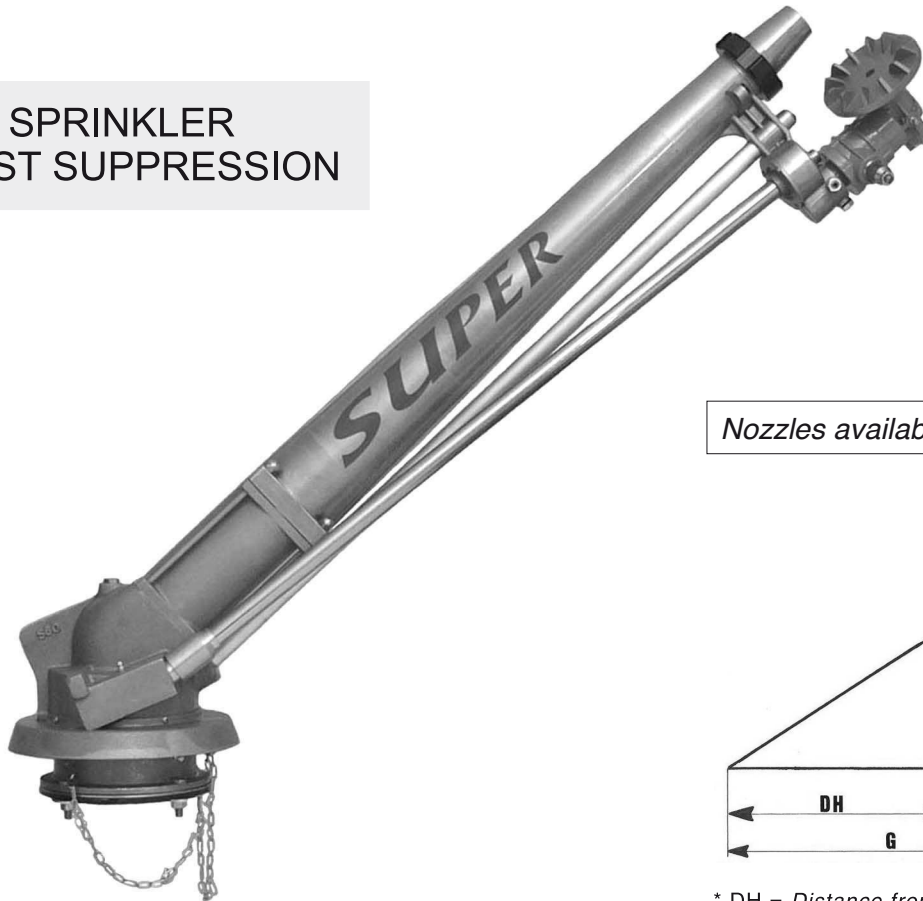
Nozzle ø mm	Pressure Atm.	Discharge l/h	Length of jet G m	Apogee H m	Distance DH* m
26	4,0 - 5,0 - 6,0	860 - 957 - 1060	47 - 51 - 53	17 - 19 - 21	31 - 35 - 37
28	4,0 - 5,0 - 6,0	997 - 1110 - 1225	49 - 54 - 57	18 - 22 - 25	32 - 38 - 40
30	5,0 - 6,0 - 7,0	1273 - 1394 - 1520	56 - 57 - 58	21 - 24 - 26	39 - 40 - 41
32	5,0 - 6,0 - 7,0	1475 - 1587 - 1735	61 - 63 - 66	22 - 25 - 27	40 - 42 - 43
34	5,0 - 6,0 - 7,0	1645 - 1792 - 1935	62 - 64 - 67	23 - 25.5 - 27.5	41 - 43 - 44
36	6,0 - 7,0 - 8,0	2008 - 2169 - 2316	68 - 71 - 73	25 - 29.5 - 34	48 - 50 - 53

*The technical characteristics are indicative and not binding*

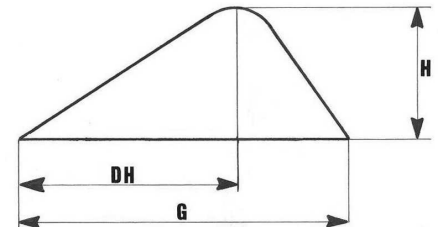
# S80 SUPER - 43° DUST SUPPRESSION

Nodolini flange connection  
 DN100 PN16 EN1092-1 flange connection  
 Euroflange 4"

THE BIG SPRINKLER  
 FOR DUST SUPPRESSION



Nozzles available  $\varnothing$  26 - 46 mm.



\* DH = Distance from sprinkler to apogee

Nozzle $\varnothing$ mm	Pressure Atm.	Discharge l/h	Length of jet G m	Apogee H m	Distance DH* m
26	4,0 - 5,0 - 6,0	860 - 957 - 1060	47 - 52 - 54	17 - 19,5 - 21	31 - 36 - 38
28	4,0 - 5,0 - 6,0	997 - 1110 - 1225	49 - 55 - 58	18 - 22 - 25	32 - 39 - 41
30	5,0 - 6,0 - 7,0	1273 - 1394 - 1520	56 - 59 - 61	21 - 24 - 26	39 - 41 - 43
32	5,0 - 6,0 - 7,0	1475 - 1587 - 1735	61 - 63 - 67	22 - 25 - 27	40 - 42 - 44
34	5,0 - 6,0 - 7,0	1645 - 1792 - 1935	62 - 64 - 69	23 - 25,5 - 28	41 - 43 - 46
36	6,0 - 7,0 - 8,0	2008 - 2169 - 2316	68 - 71 - 74	25 - 29,5 - 33	46 - 48 - 51
38	7,0 - 8,0 - 9,0	2418 - 2585 - 2742	73 - 77 - 80	31 - 34 - 36	51 - 54 - 56

The technical characteristics are indicative and not binding



NODOLINI SPRINKLERS is proud to present its range of **C.W. sprinklers**.

These sprinklers have been designed for **CORROSIVE WATERS** and **CORROSIVE ENVIRONMENTS**: they are normally used with seawater for dust suppression at ports , with waste-waters for dust suppression at stockpiles, as well as in the mining sector.

Mechanical parts are internal and protected against any possible chemical aggression.

Aluminium parts are treated with anodic oxidation, plastic coating and cataphoresis.

All the screws, nuts, washers and pins are made of stainless-steel AISI 304 / 316 .

Sprinklers can be used with **HIGH PRESSURES** (1500 kPa - 15 atm) and a turbine system without vibrations.

A conical pipe ensures high performance.

The sprinkler can operate with a minimum angle of just 4°.

Stainless steel nozzles are available on request.

#### **WORKING CONDITIONS:**

- seawater (extreme conditions): Electric conductivity SMEWW - 2510 B  $\mu\text{S}/\text{cm}$  = 50000
- waters loaded with salts, industrial water: Electric conductivity SMEWW - 2510 B  $\mu\text{S}/\text{cm}$  = 10000
- acid waters loaded with salts (vinasse) pH = 3: Electric conductivity SMEWW - 2510 B  $\mu\text{S}/\text{cm}$  = 6500
- waste-water = different work situations
- acid liquids pH = 2 - 2,5
- with basic liquids we have many fewer problems.

**SMEWW = Standard Methods for the Examination of Water and Wastewater**

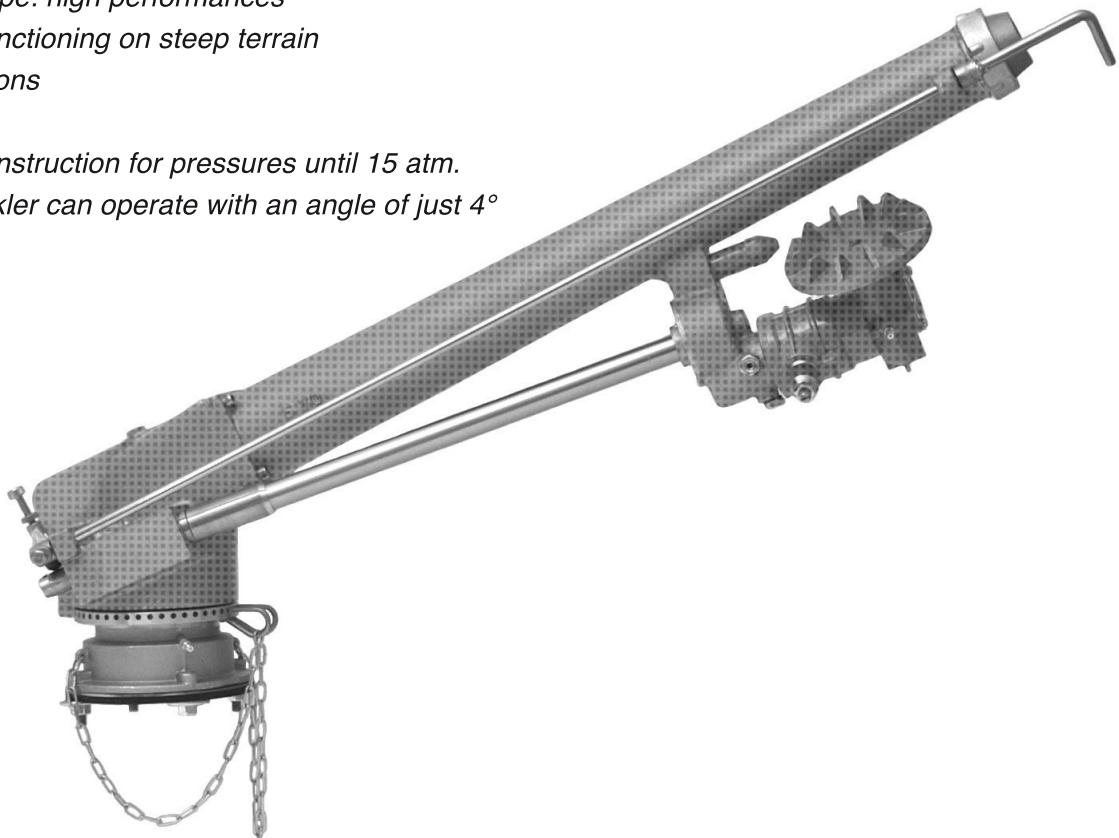
$\mu\text{S}/\text{cm}$  = micro-siemens per centimeter (unit of measurement)



## S70 - 25° C.W.

*Nodolini flange connection  
 Big flange connection (Euroflange)  
 Female thread connection 2" ½ BSP*

- Turbine Sprinkler
- Concial pipe: high performances
- Perfect functioning on steep terrain
- No vibrations
- No break
- Strong construction for pressures until 15 atm.
- The sprinkler can operate with an angle of just 4°



Long range turbine irrigator designed to obtain maximum output with medium power systems.

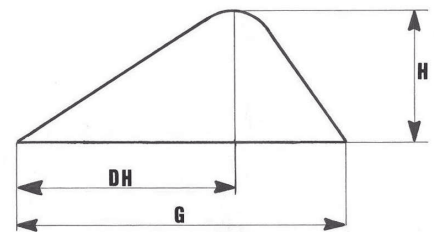
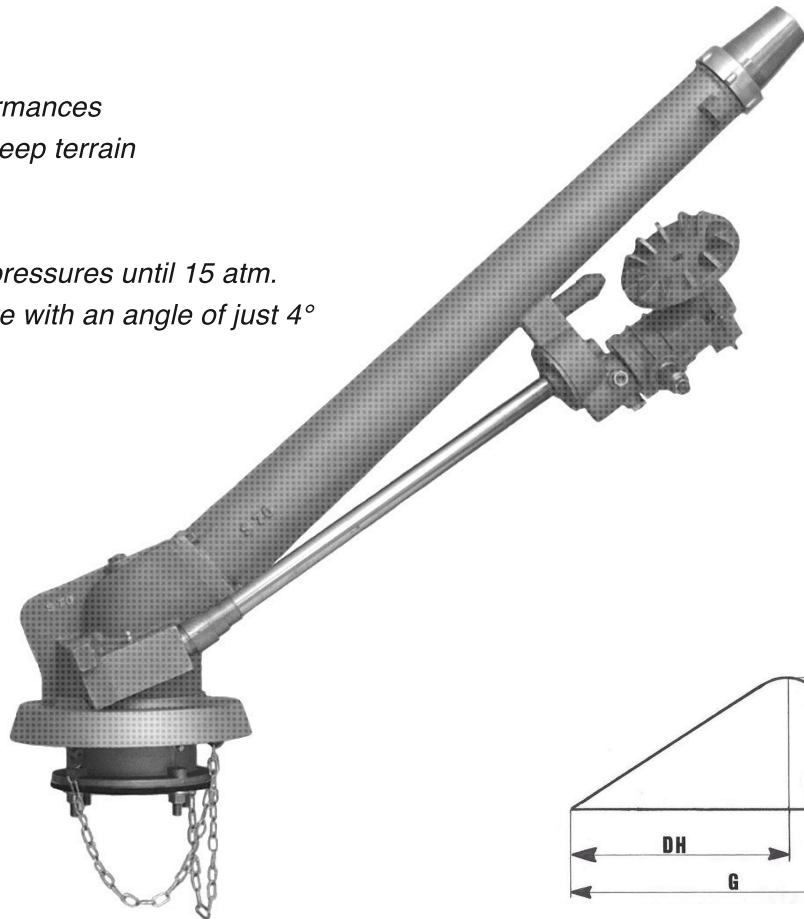
Nozzle Ø mm	Pressure atm.	Discharge l/min	Lenght of jet m
24	4,0 - 5,0 - 6,0	729 - 815 - 893	45 - 52 - 55
26	4,0 - 5,0 - 6,0	856 - 957 - 1048	47 - 53 - 57
28	4,0 - 5,0 - 6,0	992 - 1109 - 1215	49 - 54 - 59
30	5,0 - 6,0 - 7,0	1272 - 1393 - 1505	55 - 61 - 63
32	5,0 - 6,0 - 7,0	1449 - 1587 - 1714	57 - 63 - 66
34	6,0 - 7,0 - 8,0	1792 - 1935 - 2069	64 - 67 - 69
36	6,0 - 7,0 - 8,0	2009 - 2170 - 2320	65 - 69 - 71
38	7,0 - 8,0 - 9,0	2418 - 2585 - 2742	71 - 73 - 75

The technical characteristics are indicative and not binding

## S70 - 43° DUST SUPPRESSION C.W.

*Nodolini flange connection  
 Big flange connection (Euroflange)  
 Female thread connection 2" ½ BSP*

- Turbine Sprinkler
- Concial pipe: high performances
- Perfect functioning on steep terrain
- No vibrations
- No break
- Strong construction for pressures until 15 atm.
- The sprinkler can operate with an angle of just 4°



\* DH = Distance from sprinkler to apogee

Nozzle Ø mm	Pressure atm.	Discharge l/min	Lenght of jet G m	Apogee H m	Distance DH* m
26	4,0 - 5,0 - 6,0	860 - 957 - 1060	47 - 51 - 53	17 - 19 - 21	31 - 35 - 37
28	4,0 - 5,0 - 6,0	997 - 1110 - 1225	49 - 54 - 57	18 - 22 - 25	32 - 38 - 40
30	5,0 - 6,0 - 7,0	1237 - 1394 - 1520	56 - 57 - 58	21 - 24 - 26	39 - 40 - 41
32	5,0 - 6,0 - 7,0	1475 - 1587 - 1735	61 - 63 - 66	22 - 25 - 27	40 - 42 - 43
34	5,0 - 6,0 - 7,0	1645 - 1792 - 1935	62 - 64 - 67	23 - 25,5 - 27,5	41 - 43 - 44
36	6,0 - 7,0 - 8,0	2008 - 2169 - 2316	68 - 71 - 73	25 - 29,5 - 34	48 - 50 - 53

The technical characteristics are indicative and not binding

## S80 DUST SUPPRESSION C.W.

Nodolini flange connection  
Euroflange 4"

- Turbine Sprinkler
- Concial pipe: high performances
- Perfect functioning on steep terrain
- No vibrations
- No break
- Strong construction for pressures until 15 atm.
- The sprinkler can operate with an angle of just 4°



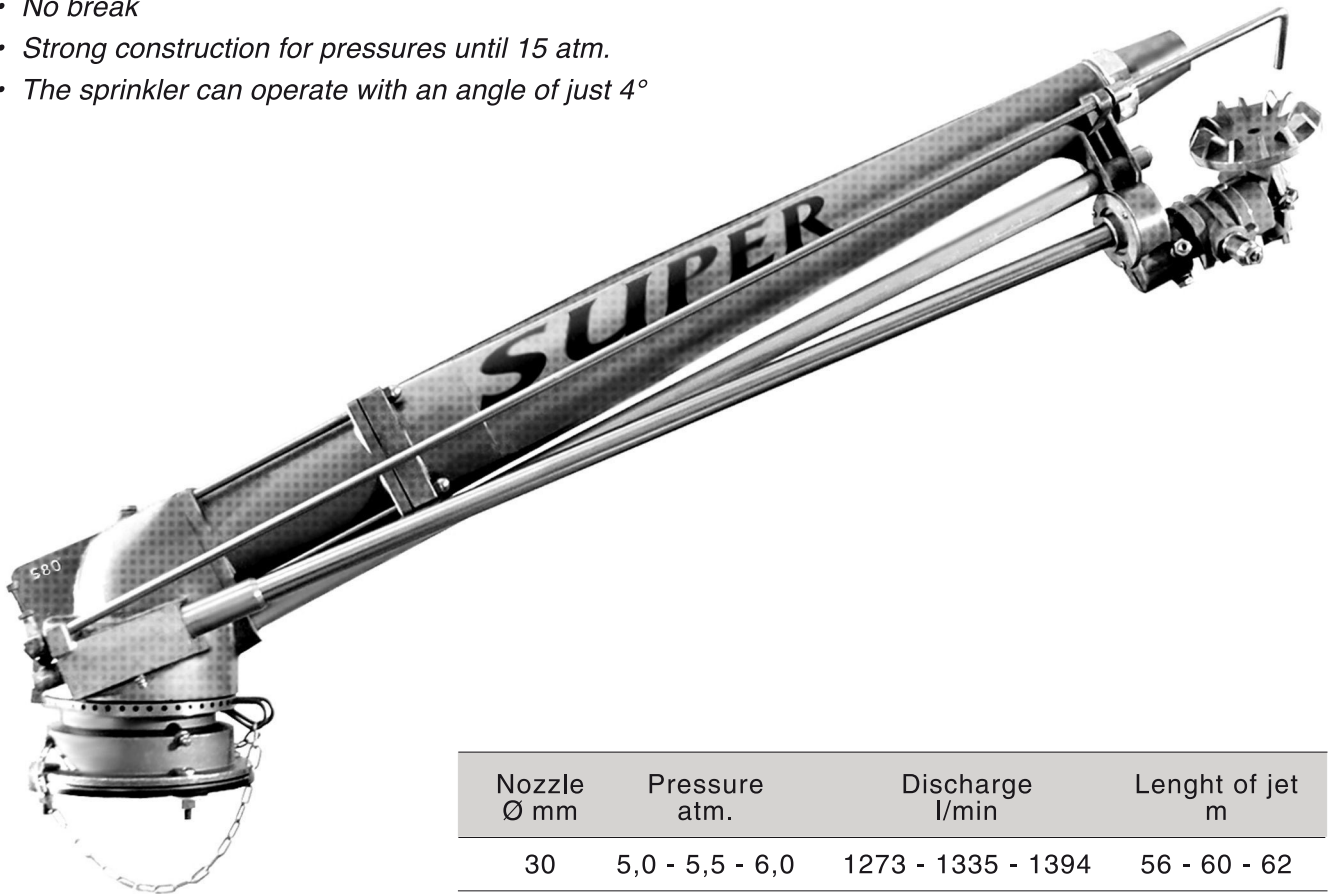
Nozzle Ø mm	Pressure atm.	Discharge l/min	Lenght of jet m
26	4,5 - 5,0 - 5,5	908 - 957 - 1004	49 - 52 - 53
28	4,5 - 5,0 - 5,5	1053 - 1110 - 1164	51 - 54 - 56
30	5,0 - 5,5 - 6,0	1273 - 1335 - 1394	55 - 57 - 60
32	5,5 - 6,0 - 6,5	1520 - 1587 - 1652	59 - 62 - 65
34	6,0 - 6,5 - 7,0	1792 - 1865 - 1935	63 - 66 - 68
36	6,0 - 7,0 - 8,0	2008 - 2169 - 2319	65 - 70 - 75
38	7,0 - 8,0 - 9,0	2418 - 2585 - 2742	73 - 76 - 79

The technical characteristics are indicative and not binding

# S80 SUPER DUST SUPPRESSION C.W.

Nodolini flange connection  
Euroflange 4"

- Turbine Sprinkler
- Concial pipe: high performances
- Perfect functioning on steep terrain
- No vibrations
- No break
- Strong construction for pressures until 15 atm.
- The sprinkler can operate with an angle of just 4°



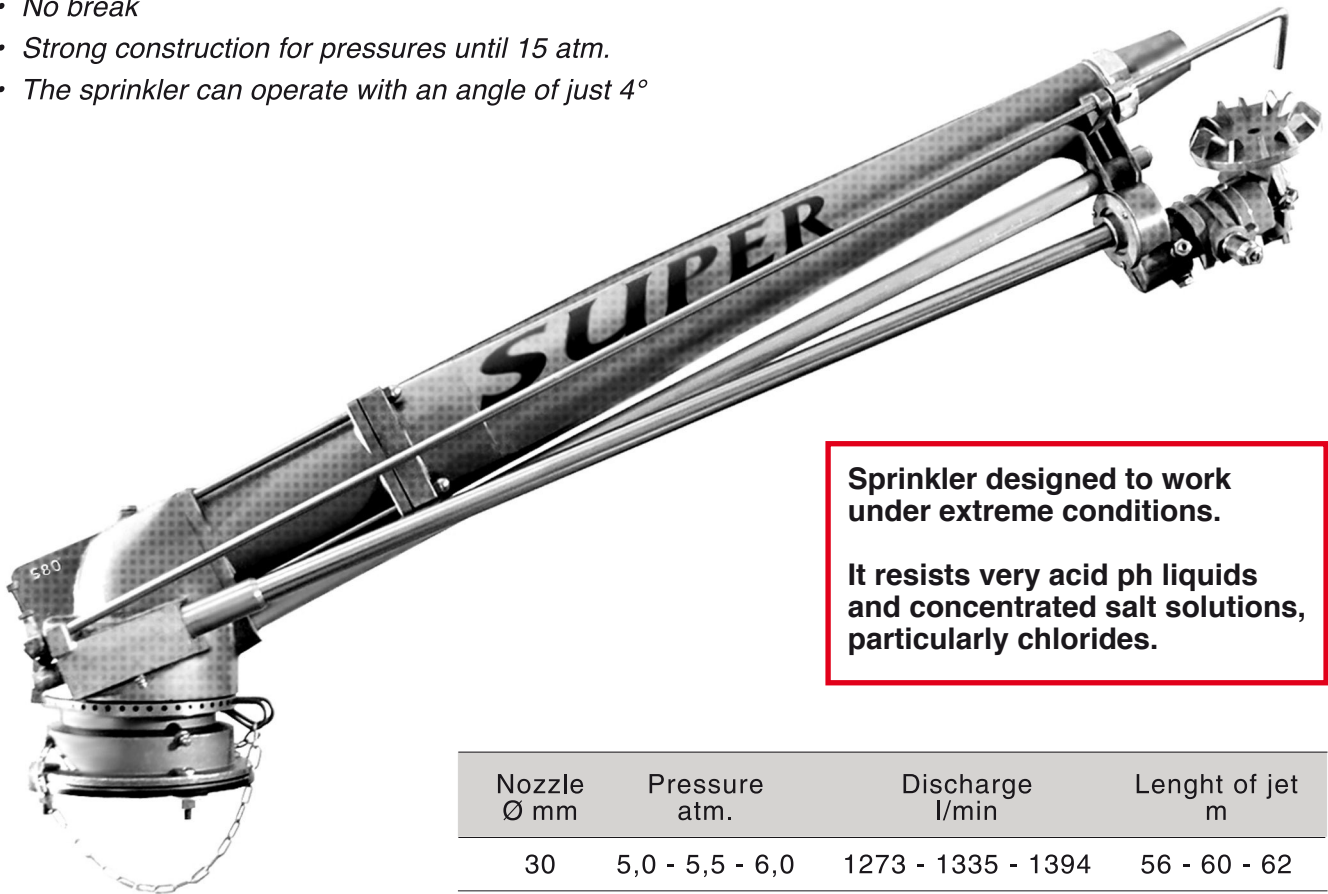
Nozzle Ø mm	Pressure atm.	Discharge l/min	Lenght of jet m
30	5,0 - 5,5 - 6,0	1273 - 1335 - 1394	56 - 60 - 62
32	6,0 - 6,5 - 7,0	1587 - 1652 - 1714	61 - 65 - 68
34	6,0 - 6,5 - 7,0	1792 - 1865 - 1935	63 - 66 - 70
36	7,0 - 8,0 - 9,0	2169 - 2319 - 2460	71 - 74 - 80
38	7,0 - 8,0 - 9,0	2418 - 2585 - 2742	73 - 78 - 83
40	8,0 - 9,0 - 10,0	2864 - 3038 - 3203	81 - 86 - 90
42	8,0 - 9,0 - 10,0	3120 - 3310 - 3490	83 - 89 - 93
44	9,0 - 10,0 - 11,0	3630 - 3830 - 4050	92 - 95 - 99

The technical characteristics are indicative and not binding

# S80 SUPER PLUS DUST SUPPRESSION C.W.

*Nodolini flange connection  
Euroflange 4"*

- Turbine Sprinkler
- Concial pipe: high performances
- Perfect functioning on steep terrain
- No vibrations
- No break
- Strong construction for pressures until 15 atm.
- The sprinkler can operate with an angle of just 4°



**Sprinkler designed to work under extreme conditions.**

**It resists very acid ph liquids and concentrated salt solutions, particularly chlorides.**

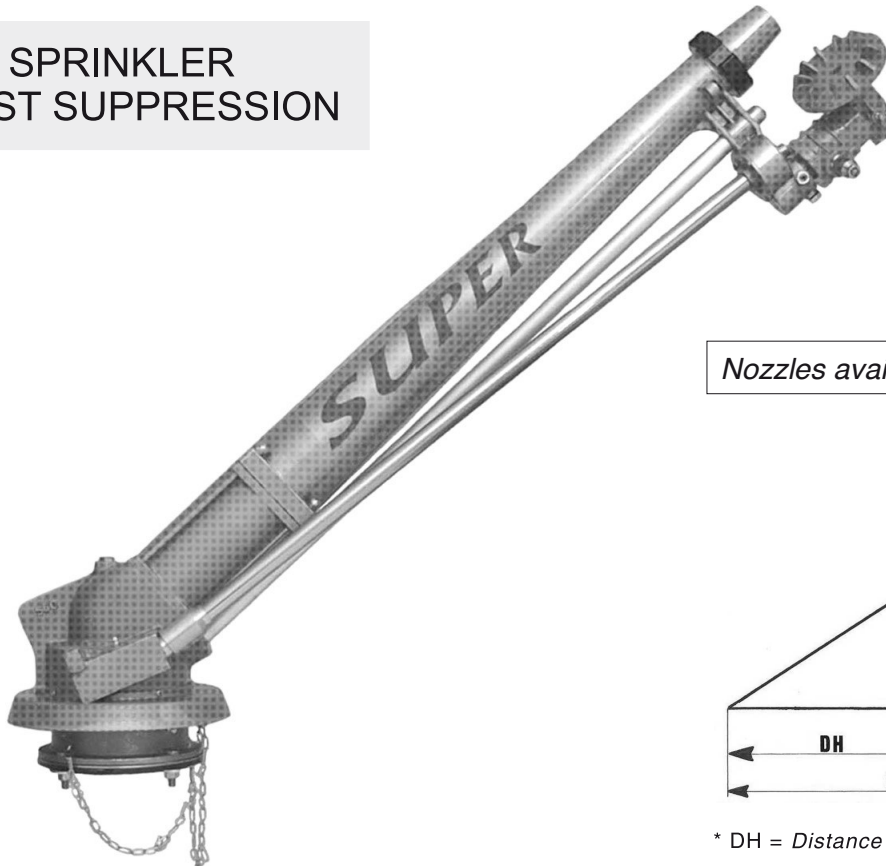
Nozzle Ø mm	Pressure atm.	Discharge l/min	Lenght of jet m
30	5,0 - 5,5 - 6,0	1273 - 1335 - 1394	56 - 60 - 62
32	6,0 - 6,5 - 7,0	1587 - 1652 - 1714	61 - 65 - 68
34	6,0 - 6,5 - 7,0	1792 - 1865 - 1935	63 - 66 - 70
36	7,0 - 8,0 - 9,0	2169 - 2319 - 2460	71 - 74 - 80
38	7,0 - 8,0 - 9,0	2418 - 2585 - 2742	73 - 78 - 83
40	8,0 - 9,0 - 10,0	2864 - 3038 - 3203	81 - 86 - 90
42	8,0 - 9,0 - 10,0	3120 - 3310 - 3490	83 - 89 - 93
44	9,0 - 10,0 - 11,0	3630 - 3830 - 4050	92 - 95 - 99

The technical characteristics are indicative and not binding

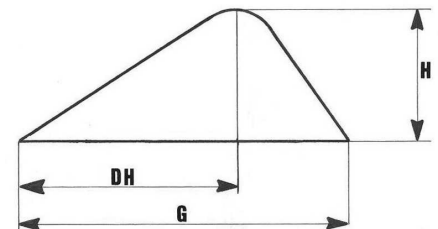
# S80 SUPER - 43° DUST SUPPRESSION C.W.

Nodolini flange connection  
Euroflange 4"

THE BIG SPRINKLER  
FOR DUST SUPPRESSION



Nozzles available  $\varnothing$  26 - 46 mm.



\* DH = Distance from sprinkler to apogee

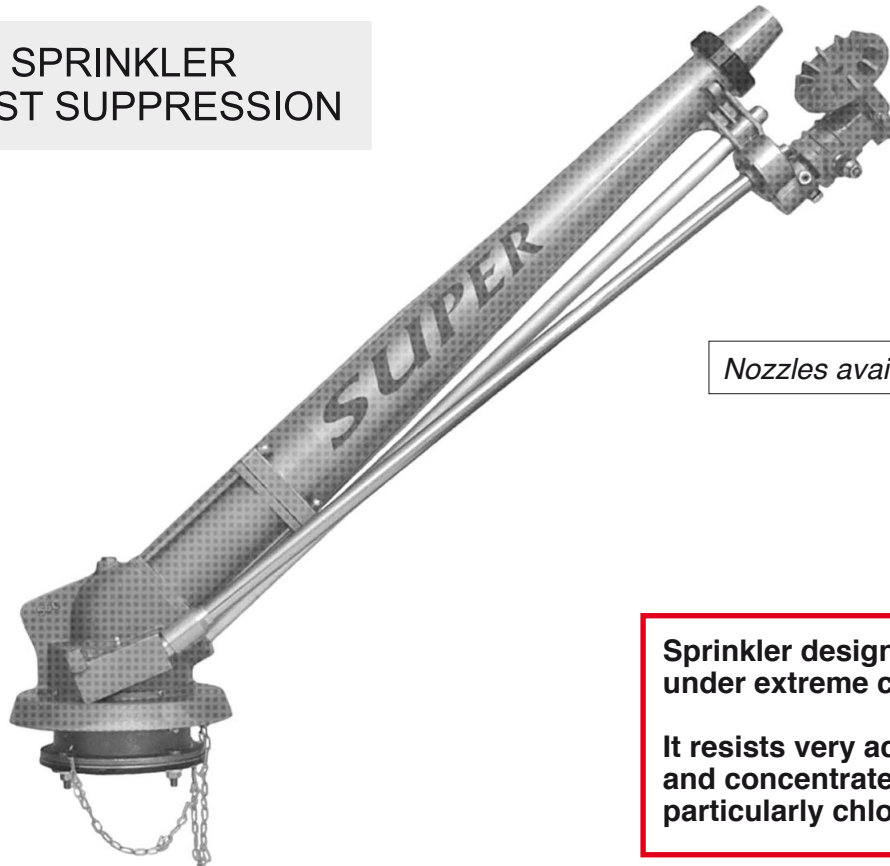
Nozzle $\varnothing$ mm	Pressure Atm.	Discharge l/h	Length of jet G m	Apogee H m	Distance DH* m
26	4,0 - 5,0 - 6,0	860 - 957 - 1060	47 - 52 - 54	17 - 19,5 - 21	31 - 36 - 38
28	4,0 - 5,0 - 6,0	997 - 1110 - 1225	49 - 55 - 58	18 - 22 - 25	32 - 39 - 41
30	5,0 - 6,0 - 7,0	1273 - 1394 - 1520	56 - 59 - 61	21 - 24 - 26	39 - 41 - 43
32	5,0 - 6,0 - 7,0	1475 - 1587 - 1735	61 - 63 - 67	22 - 25 - 27	40 - 42 - 44
34	5,0 - 6,0 - 7,0	1645 - 1792 - 1935	62 - 64 - 69	23 - 25,5 - 28	41 - 43 - 46
36	6,0 - 7,0 - 8,0	2008 - 2169 - 2316	68 - 71 - 74	25 - 29,5 - 33	46 - 48 - 51
38	7,0 - 8,0 - 9,0	2418 - 2585 - 2742	73 - 77 - 80	31 - 34 - 36	51 - 54 - 56

The technical characteristics are indicative and not binding

# S80 SUPER PLUS - 43° DUST SUPPRESSION C.W.

*Nodolini flange connection  
Euroflange 4"*

THE BIG SPRINKLER  
FOR DUST SUPPRESSION



Nozzles available  $\varnothing$  26 - 46 mm.

**Sprinkler designed to work  
under extreme conditions.**

**It resists very acid ph liquids  
and concentrated salt solutions,  
particularly chlorides.**

26	4,0 - 5,0 - 6,0	860 - 957 - 1060	47 - 52 - 54	17 - 19,5 - 21	31 - 36 - 38
28	4,0 - 5,0 - 6,0	997 - 1110 - 1225	49 - 55 - 58	18 - 22 - 25	32 - 39 - 41
30	5,0 - 6,0 - 7,0	1273 - 1394 - 1520	56 - 59 - 61	21 - 24 - 26	39 - 41 - 43
32	5,0 - 6,0 - 7,0	1475 - 1587 - 1735	61 - 63 - 67	22 - 25 - 27	40 - 42 - 44
34	5,0 - 6,0 - 7,0	1645 - 1792 - 1935	62 - 64 - 69	23 - 25,5 - 28	41 - 43 - 46
36	6,0 - 7,0 - 8,0	2008 - 2169 - 2316	68 - 71 - 74	25 - 29,5 - 33	46 - 48 - 51
38	7,0 - 8,0 - 9,0	2418 - 2585 - 2742	73 - 77 - 80	31 - 34 - 36	51 - 54 - 56

*The technical characteristics are indicative and not binding*



**Nodolini**  
SPRINKLERS

Via C. Iotti, 55 - 42045 Luzzara (RE) - Italy  
Tel. +39 0522 977491 - Fax +39 0522 977491  
info@nodolini.com - www.nodolini.com