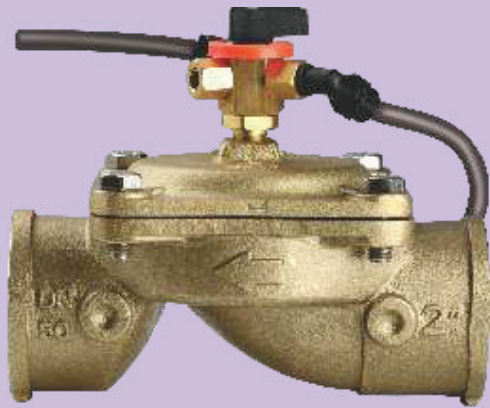


# Bronze Hydraulic Control Valve

1", 1½" & 2"



Hydraulically operated valve for green house irrigation system as well as turf and field crop irrigation.

## Features

- Simple and robust design, only 4 parts involved.
- Bronze Body and cover plate for durability and corrosion resistant.
- Metal reinforced rubber valve lid designed for smooth operation without deformation at high pressure with drop tight shutoff.
- Very less down time.
- Minimum Head loss due to very efficient internal design.
- Arrow for correct installation of hydraulic valve.
- Compatible with most irrigation controllers available in market.

## Hydraulic Valve Operation ( 3 Way control )

- Full Close Position: This device admits pressure into the control Chamber.
- Fully Open Position: This device relieves pressure into the atmosphere.

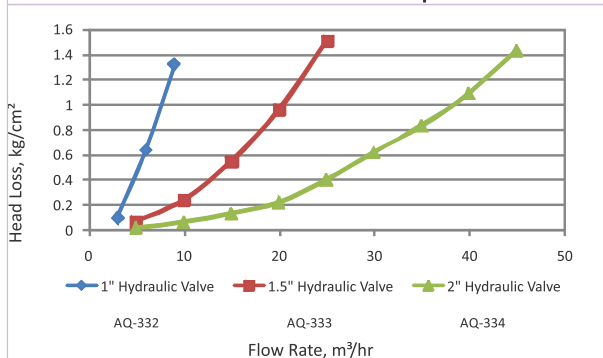
## Technical Specifications

- Inlet/ Outlet connection: 1", 1½" & 2" BSP/ NPT Female Threaded.
- 3 Way Valve Port: Female threaded  
1" HV: 1/8"-28 BSP or 1/8"-27NPT  
1½" & 2" HV: 1/4"-19 BSP or 1/4" - 18NPT
- Pressure Ports: Female threaded-  
1" HV: 1/8"-28 BSP or 1/8"-27NPT - 1½" & 2" HV: 1/4"-19 BSP or 1/4" - 18NPT
- Operating Pressure Range : 0.6 - 10 kg/cm<sup>2</sup> (8 -145Psi).
- Pressure Rating: PN 10.
- Temperature Range: (with water) Upto 60°C.

## Material Specification

PART NO	PART NAME	MATERIAL	QTY.
1	Body	Bronze	1
2	Cover Plate	Bronze	1
3	Valve Lid	EPDM	1
4	Spring	SS	1
5	Bolt	SS	4

## Performance Graph



## Hydraulic Performance

Valve Size	mm	25	40	50
	inch	1"	1½"	2"
Recommended Flow Range V-1.5-5 m/s or 5-17 f/s	m³/hr	2-5	5-12	10-25
	gpm	8-22	22-53	44-110
Max. Flow	m³/hr	5	12	25
Continuance (Qn)	gpm	22	53	110
Max. Flow Intermittant (Qmax)	m³/hr	9	22	45
	gpm	40	97	198
Kv (m³/hr @ 1 bar)		8	20	38
Cv (gpm @ 1 Psi)		9	23	43

# Bronze Hydraulic Pilot based Control Valve

1", 1½" & 2"



## Features

- Simple and robust design, only 4 parts involved.
- Bronze Body and cover plate for durability and corrosion resistant.
- Metal reinforced rubber valve lid designed for smooth operation without deformation at high pressure with drop tight shutoff.
- Very less down time.
- Minimum Head loss due to very efficient internal design.
- Arrow for correct installation of hydraulic valve.
- Compatible with most irrigation controllers available in market.
- Pilot designed for quick sensing of line pressure and work for pressure reducing, pressure sustaining/pressure relief.

## Applications

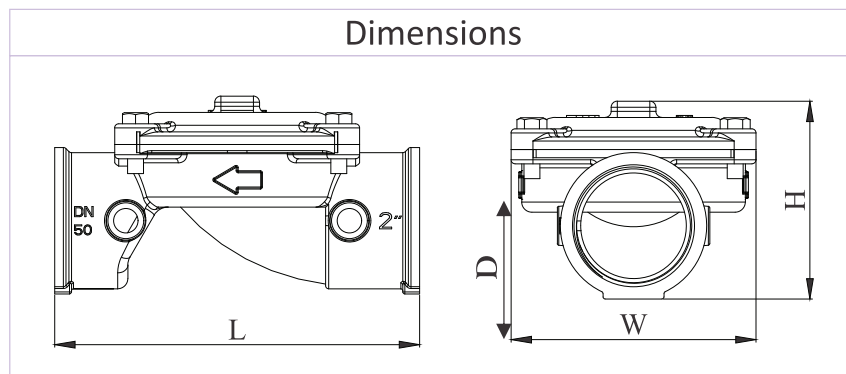
### Pressure Reducing Valve

- The bronze hydraulic valve with brass/plastic pilot is best for general water supply system, irrigation, filtration network and systems subjected to sudden demand changes with medium pressure rating
- The valve maintains a preset downstream pressure regardless of upstream pressure or flow fluctuations.

### Pressure Sustaining / Relief Valve

- Pressure sustaining valve installed in-line, it sustain minimum back pressure, preventing line emptying and pump overloading.
- Pressure relief valve installed off-line, when line pressure rises above a desired set pressure, the valve opens to reduce excessive upstream pressure..

## Dimensions



## Dimensions

Model No.	Valve Size		D		L		H		W	
	mm	Inch	mm	Inch	mm	Inch	mm	Inch	mm	Inch
AQ-332	25	1"	21.5	0.85	117	4.61	68.5	2.70	72	2.83
AQ-333	40	1½"	31	1.22	153.5	6.04	85	3.35	95	3.74
AQ-334	50	2"	39	1.54	180.5	7.11	100	3.94	119	4.69



E-mail: [contactus@automatworld.com](mailto:contactus@automatworld.com)  
 Website: [www.automatworld.com](http://www.automatworld.com)

*Creating a Green World*